

# Technical and Dimensional Data

---

## **Saf-T Vent<sup>®</sup> CI Plus**

Double Wall  
AL 29-4C<sup>®</sup> Stainless Steel  
Special Gas Vent and Type L Vent

---

For Venting Commercial & Industrial Appliances  
Condensing Appliances  
Category I,II,III,IV Appliances

For Use on Positive, Neutral, and Negative Pressures up to 15" W.C.  
Also For Venting Listed Gas or Oil Fired Appliances Listed as Suitable For Venting  
With Type L Vent Low-Temperature Venting Systems  
Sizes: 4" - 32" Diameters.



Tested and Listed to  
UL 1738/ULC S636  
by Underwriters Laboratories, Inc  
Also Listed to UL 641, ULC/ORD-C441-M1990  
and CAN-ULC-S609-M89

© Copyright 2006 Selkirk Corp.  
Saf-T Vent is a registered trademark of Selkirk Corp.  
AL 29-4C is a registered trademark of ATI Properties, Inc.  
UL and the UL Mark are registered trademarks of  
Underwriters Laboratories, Inc.

Pub # 11720 120308

130 Industrial Boulevard  
Turners Falls, MA 01376-1607  
Call (800) 772-0739  
Fax (413) 863-4803  
[www.heat-fab.com](http://www.heat-fab.com)

# Saf-T Vent<sup>®</sup> CI Plus

DOUBLE WALL AL 29-4C<sup>®</sup> SPECIAL GAS VENT

---

## TABLE OF CONTENTS

CATEGORY	PART DESCRIPTION	PAGE
Introduction	Introduction	3
	Part Numbering System	3
	Surface Temperatures	4
Accessories	Material Thickness	5
	RTV Sealant	5
	Silicone Lubricant	5
	Universal Boiler Adapter	6
	Adapter, From / To Saf-T Vent CI Plus	6
	Double Male Adapter	7
	Flanged Adapter	7
	Fire Stop	8
	Condensate Drain Tube Kit	8
	In-Line Damper Section	9
	Vent Flow Regulator	9
	In-Line Probe Section	10
	In-Line Drain Section	11
	Boot Tees & Covers	Tee Cover with Drain Fitting
Tee Cover		13
Boot Tees		14
Boot Tees with Reducing Tap		15
Square Tee		16
Barometric Tee		17
Increasesers	Increaser	18
Reducer	Reducer	19
Elbows	15° Elbow	20
	30° Elbow	21
	45° Elbow	22
	90° Elbow	23
	Tight Radius 90° Elbow	24
Straight Lengths	6" Length, 9" Length	25
	12" Length, 18" Length	26
	24" Length, 36" Length	27
	Long Adjustable Length	28
	Short adjustable Length	29
	Supports & Hangers	Guy Support Section
Floor Support		31
Vertical Support Plate		31
Vertical Support		32
Horizontal Support		33
Support Clamp		33
Terminations	Roof Jack Support System	34
	Tall Cone Flashing and Support	35
	Pitched Tall Cone Flashing	36
	Wall Termination/Penetration	37
	Wall Penetration	38
	Rain Cap	39
Termination Accessories	Screened Termination	39
	Exit Cone	40
	Finish Collar	41
	Ventilation Collar	41

---

Heatfab Division, Selkirk Corp.

130 Industrial Boulevard • Turners Falls, MA 01376

Phone 800 772 0739 • Fax 413 863 4803 • www.heat-fab.com

# Saf-T Vent® CI Plus

DOUBLE WALL AL 29-4C® SPECIAL GAS VENT

---

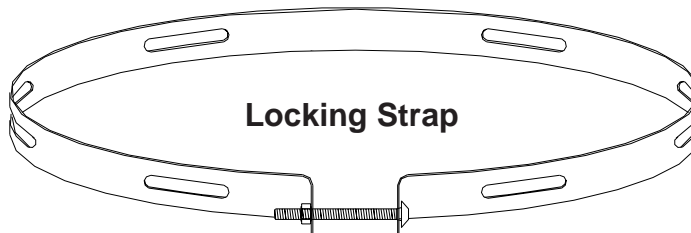
## Introduction:

Saf-T Vent CI Plus is an AL29-4C superferritic stainless steel conduit with a one-inch air space and a type 430 stainless steel outer jacket. It is ideal for close clearance installation within building chases.

Saf-T Vent CI Plus combines the tight fit of the tapered male and female expands with a patented\* closure system which consists of tabs and a locking strap. The locking strap provides a mechanical connection between the two assembled sections. It also serves to pull together the two pieces, making a pressure-tight assembly. The locking strap is tightened from a single location using a simple hand tool. This single-point fastening system allows one installer to complete an assembly without rotating the sections or rotating himself around the sections.

The double-wall construction allows for an insulating blanket of 1" air space between the inner wall and the outer wall. This air insulation has the advantage of keeping the flue gases warmer as well as making the skin temperature of the outer wall cooler. The reduced skin temperature allows the product to be installed in closer proximity to combustible materials. Refer to the installation instructions for Heat-fab's Saf-T Vent CI Plus system (PI-CCINS).

\*Patent No. 6,702,338



**Part Numbering System for CI Plus** — Saf-T Vent CI Plus parts are identified by the following numbering system which describes the composition, use, diameter and length of each part.

1. The **Product Code**, or Model, is comprised of two letters. **CC** designates CI Plus, which has a one inch air space insulation.
2. The **Material Code** is one letter and designates the type of steel or steel combination from which the part is made. **A** stands for AL-29-4C inner/ 430SS outer. Other outer jacket materials are available; contact your Heat-fab sales representative.
3. The **Diameter** of the inner vent is designated by two numbers, for example, a 6 inch diameter would be **06**.
4. The **Part** shape description is 1 to 4 letters and are as follows: **AD** adapter, **AJ** adjustable, **BT** Boot Tee, **CV** cover, **DCV** drain cover, **E** elbow, **FC** finish collar, **FS** firestop, **GUY** guy section, **HZS** horizontal support, **L** for length, **NCR** for increaser, **RC** for raincap, **RDC** reducer, **RJ** roof jack, **TCF** tall cone flashing, **TM** for termination, **VTS** vertical support, **WP** wall penetration.
5. The **Qualifying** description is 2 numbers and designates the length of a section, the angle of an elbow, or the second diameter size as on increasers and reducers and boot tees with a different diameter tap. Examples are **12** for a 12" long section or **90** for a 90 degree elbow.

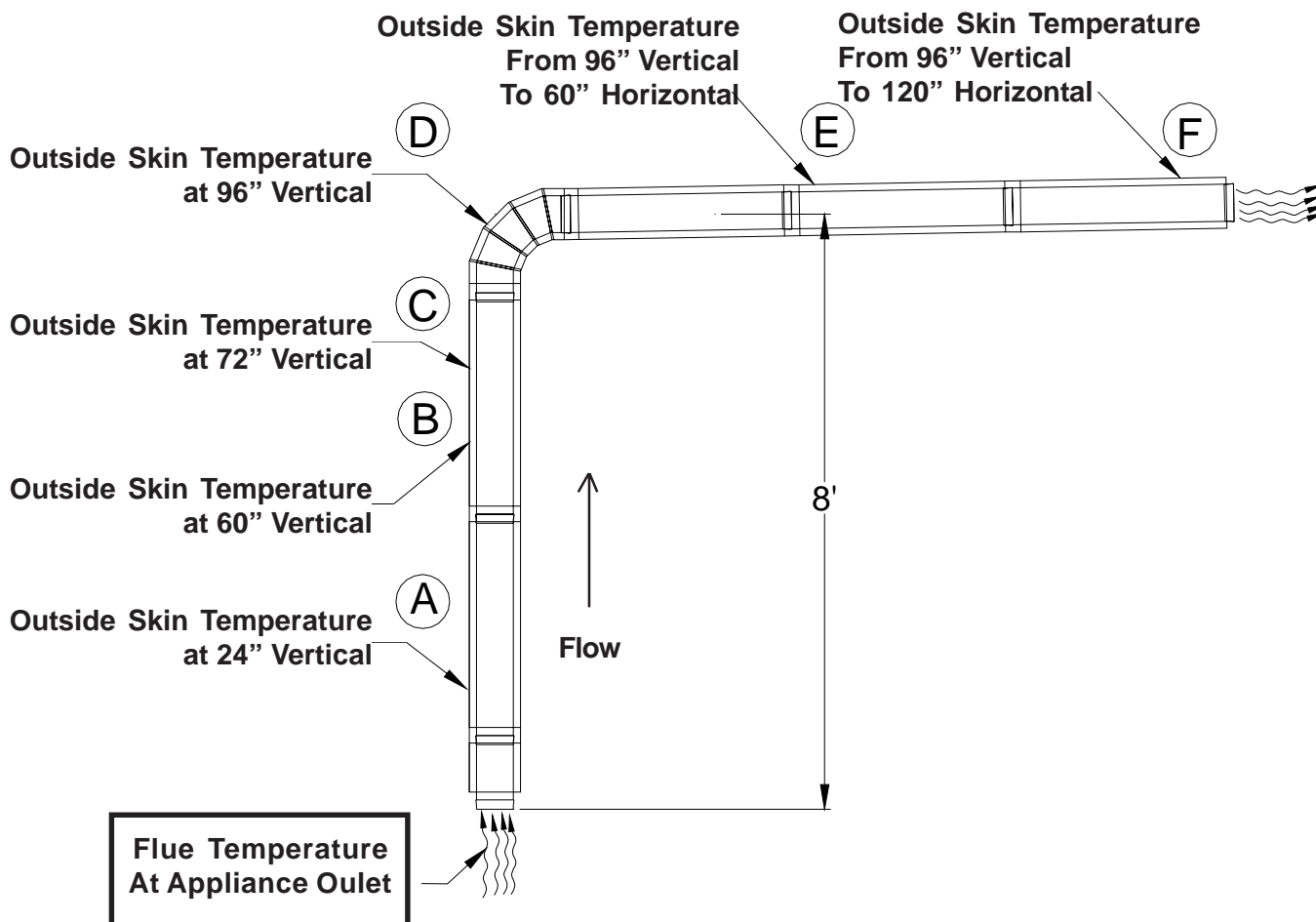
An example of a part number is **CCA14E90**, which would be a CI Plus, **CC**; made from AL29-4C inner and 430SS outer, **A**; 14 inch diameter, **14**; an elbow, **E**; 90 degree, **90**.

# Saf-T Vent® CI Plus

DOUBLE WALL AL 29-4C® SPECIAL GAS VENT

## Typical Outside Skin Temperature Saf-T Vent CI and Saf-T Vent CI Plus 6" Diameter at 4 Hour Continuous Operation

			Location A	Location B	Location C	Location D	Location E	Location F
Model	Appliance Outlet Flue Temperature	Room Ambient Temperature	24" Vertical	60" Vertical	72" Vertical	96" Vertical	96" Vertical & 60" Horizontal	96" Vertical & 120" Horizontal
Saf-T Vent CI	300°F / 149°C	75°F / 24°C	170°F / 77°C	137°F / 58°C	143°F / 62°C	148°F / 64°C	146°F / 63°C	134°F / 57°C
Saf-T Vent CI	380°F / 193°C	75°F / 24°C	212°F / 100°C	168°F / 76°C	171°F / 77°C	177°F / 81°C	173°F / 78°C	162°F / 72°C
Saf-T Vent CI	420°F / 216°C	75°F / 24°C	225°F / 107°C	176°F / 80°C	176°F / 80°C	190°F / 88°C	179°F / 82°C	169°F / 76°C
Saf-T Vent CI Plus	300°F / 149°C	75°F / 24°C	100°F / 38°C	110°F / 43°C	120°F / 49°C	135°F / 57°C	142°F / 61°C	132°F / 56°C
Saf-T Vent CI Plus	380°F / 193°C	75°F / 24°C	132°F / 56°C	124°F / 52°C	129°F / 58°C	149°F / 65°C	164°F / 73°C	151°F / 66°C
Saf-T Vent CI Plus	420°F / 216°C	75°F / 24°C	138°F / 59°C	138°F / 59°C	126°F / 69°C	157°F / 77°C	170°F / 77°C	161°F / 72°C



Heatfab Division, Selkirk Corp.

130 Industrial Boulevard • Turners Falls, MA 01376

Phone 800 772 0739 • Fax 413 863 4803 • www.heat-fab.com

# Saf-T Vent® CI Plus

DOUBLE WALL AL 29-4C® SPECIAL GAS VENT

## Material Thickness:

Inner Vent Diameter	Wall Thickness – Inner Vent	Wall Thickness – Outer Jacket
4 – 8"	0.015" (28 ga)	0.024" (24 ga)
9 – 16"	0.020" (26 ga)	
18 – 24"	0.025" (24 ga)	
24 – 32"	0.035" (20 ga)	0.030" (22 ga)

## Accessories:

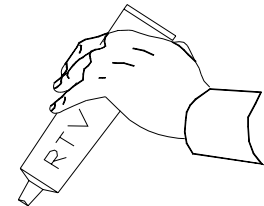
**RTV Sealant** — In order to have a UL Listed system, Saf-T Vent CI Plus parts without a factory adhered sealed must be installed with one of the following approved RTV sealants:

Maximum Appliance Flue Gas Temperature	Sealant	Size	Heat-fab Part Number
550° F.	General Electric (GE) RTV 106	2.8 oz tube	7000RTV
	or	10.1 oz cartridge	7000RTVL
	Dow Corning 736		

## Approximate Coverage

The table below shows the approximate number of installed joints that can be completed with a container of RTV sealant. These figures are based on a ¼" bead of sealant. Actual coverage may vary.

Inner Vent Diameter, Inches	Approximate Number of Joints	
	3 oz Tube	10 oz Cartridge
18	4	14
20	4	13
22	3	12
24	3	11
26	3	10
28	3	9
30	2	9
32	2	8



Note: In planning the RTV required for an installation, please be aware that certain fittings require additional RTV in order to achieve a proper positive-pressure seal. The following types of parts should be counted as 2 joints toward the RTV coverage table:

- Boiler Starters
- Adjustable Sections
- Flue Collar Adapters
- Boot Tees

\*Diameters 4" thru 16" are manufactured with a factory adhered seal on the inside of the female end and will **not** need sealant in the joint.

## Silicone Lubricant:

Use as an aid when assembling Saf-T Vent CI Plus double wall, Saf-T Vent EZ Seal single wall and Saf-T Vent SC sealed combustion joints which have the silicone seal installed in the female end. Apply a very thin film of silicone compound lubricant directly to gasket on inside of female end or to the leading edge of outside surface on male end.

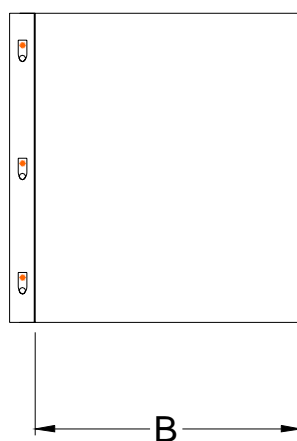
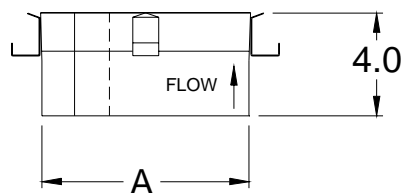
# Saf-T Vent® CI Plus

DOUBLE WALL AL 29-4C® SPECIAL GAS VENT

## Accessories:

**Universal Boiler Adapter**— Used horizontally or vertically to adapt Saf-T Vent CI Plus to nominal diameter flue collars, it can also adapt to boiler collars that are slightly out of round. The adapter comes with a joint locking strap, boiler collar clamp and a coupler band.

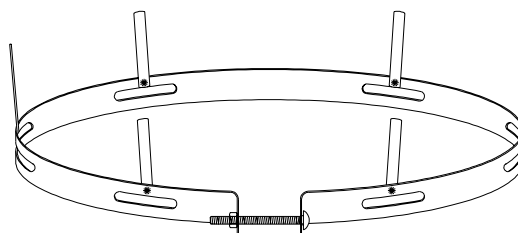
Part Number	DIM - A Nominal Inner Diameter	DIM - B Nominal Diameter Outer Jacket
CCA04ADUV	4	6.3
CCA05ADUV	5	7.3
CCA06ADUV	6	8.3
CCA07ADUV	7	9.3
CCA08ADUV	8	10.3
CCA09ADUV	9	11.3
CCA10ADUV	10	12.3
CCA12ADUV	12	14.3
CCA14ADUV	14	16.3
CCA16ADUV	16	18.3
CCA18ADUV	18	20.3
CCA20ADUV	20	22.3
CCA22ADUV	22	24.3
CCA24ADUV	24	26.3
CCA26ADUV	26	28.3
CCA28ADUV	28	30.3
CCA30ADUV	30	32.3
CCA32ADUV	32	34.3



**Universal  
Boiler Adapter**

**Adapter From CI Plus to EZ Seal / EZ Seal To CI Plus**— Used horizontally or vertically to adapt to or from Saf-T Vent CI Plus nominal diameter to Saf-T Vent EZ Seal. The adapter consists of a joint locking strap with tabs for connecting to the Saf-T Vent EZ Seal ring.

Part Number	DIM - A Nominal Vent Diameter
CCA04ADSV	4
CCA05ADSV	5
CCA06ADSV	6
CCA07ADSV	7
CCA08ADSV	8
CCA09ADSV	9
CCA10ADSV	10
CCA12ADSV	12
CCA14ADSV	14
CCA16ADSV	16



**Vent Adapter  
To Saf-T Vent CI & EZ Seal**

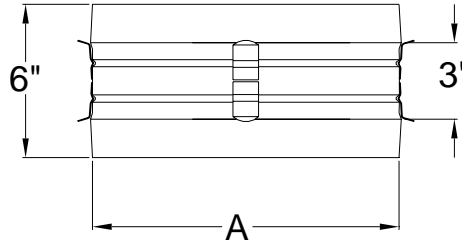
# Saf-T Vent® CI Plus

DOUBLE WALL AL 29-4C® SPECIAL GAS VENT

## Accessories:

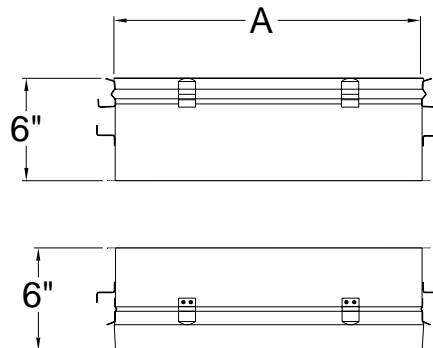
**Double Male Adapter** — This adapter is to be used in conjunction with an universal adapter when attaching to an in-line draft inducing fan that has a collar at the inlet.

Part Number	DIM - A	
	Diameter	Installed Length
CCA04MM	4	3
CCA05MM	5	3
CCA06MM	6	3
CCA07MM	7	3
CCA08MM	8	3
CCA09MM	9	3
CCA10MM	10	3
CCA12MM	12	3
CCA14MM	14	3
CCA16MM	16	3
CCA18MM	18	3
CCA20MM	20	3
CCA22MM	22	3
CCA24MM	24	3
CCA26MM	26	3
CCA28MM	28	3
CCA30MM	30	3
CCA32MM	32	3



**Double Flange Adapter** — This adapter can be used to attach a flanged in-line damper or balancing baffle to Saf-T Vent products. Adapter comes in two sections, a male and a female end connection.

Part Number	DIM - A	
	Diameter	Installed Length
CCA04PS	4	4.5
CCA05PS	5	4.5
CCA06PS	6	4.5
CCA07PS	7	4.5
CCA08PS	8	4.5
CCA09PS	9	4.5
CCA10PS	10	4.5
CCA12PS	12	4.5
CCA14PS	14	4.5
CCA16PS	16	4.5
CCA18PS	18	4.5
CCA20PS	20	4.5
CCA22PS	22	4.5
CCA24PS	24	4.5
CCA26PS	26	4.5
CCA28PS	28	4.5
CCA30PS	30	4.5
CCA32PS	32	4.5



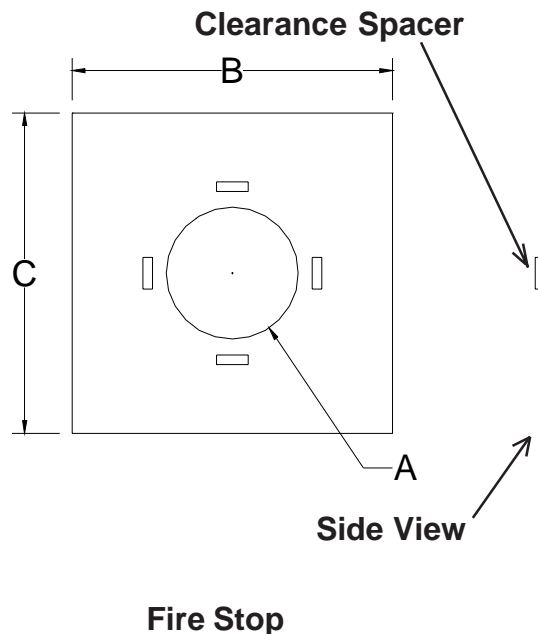
# Saf-T Vent® CI Plus

DOUBLE WALL AL 29-4C® SPECIAL GAS VENT

## Accessories:

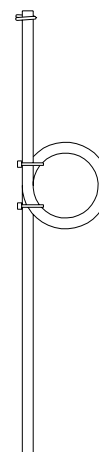
**Fire Stop** — A firestop may be required anytime Saf-T Vent CI Plus penetrates combustible floors, walls, or ceilings. Remove any insulating material from the floor, wall or ceiling cavity for at least 1" around the vent for diameters 4" - 24" and 2" around the vent for diameters 26" - 32". Review fire codes and consult with local building code officials to determine the necessity for a firestop. The stainless steel firestop may be trimmed provided the required clearances are maintained.

Part Number	DIM - A Hole Diameter	Vent Outer Jacket Diameter	DIM - B Plate Length	DIM - C Plate Width
CCS04FS	6.4	6.3	20	20
CCS05FS	7.4	7.3	20	20
CCS06FS	8.4	8.3	20	20
CCS07FS	9.4	9.3	26	26
CCS08FS	10.4	10.3	26	26
CCS09FS	11.4	11.3	26	26
CCS10FS	12.4	12.3	26	26
CCS12FS	14.4	14.3	26	26
CCS14FS	16.4	16.3	26	26
CCS16FS	18.4	18.3	26	26
CCS18FS	20.4	20.3	32	32
CCS20FS	22.4	22.3	32	32
CCS22FS	24.4	24.3	32	32
CCS24FS	26.4	26.3	32	32
CCS26FS	28.4	28.3	36	36
CCS28FS	30.4	30.3	36	36
CCS30FS	32.4	32.3	40	40
CCS32FS	34.4	34.3	40	40



**Condensate Drain Tube Kit** — This kit contains a length of high temperature silicone rubber tubing, a clamp, and two cable ties. The silicone tubing is rated for 500°F, and is translucent to allow inspection of the P-trap. Larger diameter drains can be plumbed directly into a drain system.

Part Number:	7000TUBE	5 feet of 3/8" diameter tubing
	7000TUBE-10	10 feet of 3/8" diameter tubing
	7001TUBE	10 feet of 1/2" diameter tubing





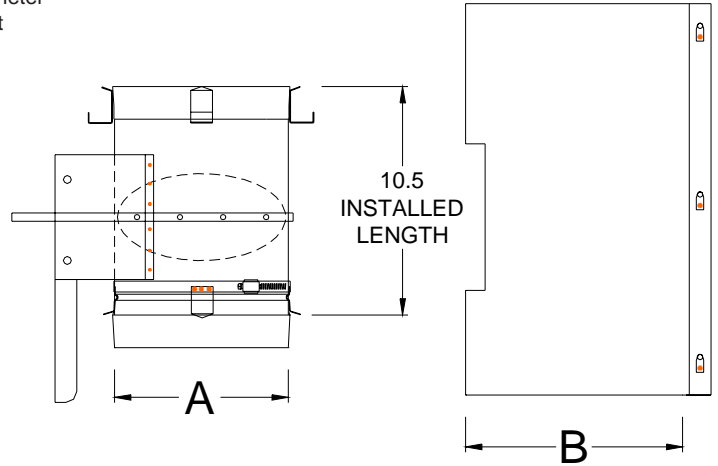
# Saf-T Vent® CI Plus

DOUBLE WALL AL 29-4C® SPECIAL GAS VENT

## Accessories:

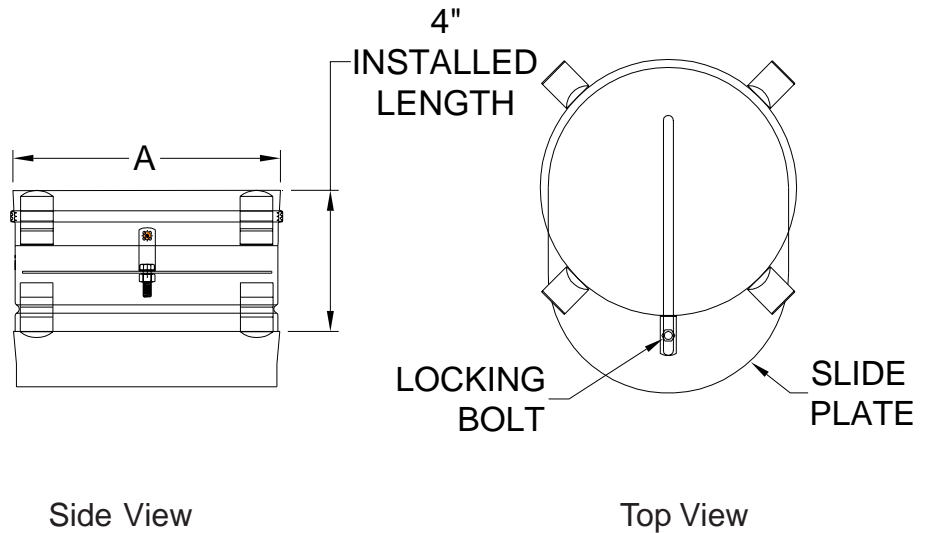
**In-Line Damper Section** — Use to adjust the flow in positive pressure applications. Can also be used to restrict back flow when the appliance is off. Each damper comes with an 18" long coupler, a locking strap, a rotating clamp, and a motor platform. The shaft is 3/8" diameter.

Part Number	DIM - A Nominal Inner Diameter	DIM - B Nominal Diameter Outer Jacket
CCA04DMP	4	6.3
CCA05DMP	5	7.3
CCA06DMP	6	8.3
CCA07DMP	7	9.3
CCA08DMP	8	10.3
CCA09DMP	9	11.3
CCA10DMP	10	12.3
CCA12DMP	12	14.3
CCA14DMP	14	16.3
CCA16DMP	16	18.3
CCA18DMP	18	20.3



**Vent Flow Regulator** — Use only in conjunction with an in-line or termination fan to balance the flow of the exhaust gases when inducing a draft.

Part Number	DIM - A Nominal Inner Diameter
CCA04BG	4
CCA05BG	5
CCA06BG	6
CCA07BG	7
CCA08BG	8
CCA09BG	9
CCA10BG	10
CCA12BG	12
CCA14BG	14



**Vent Flow Regulator**

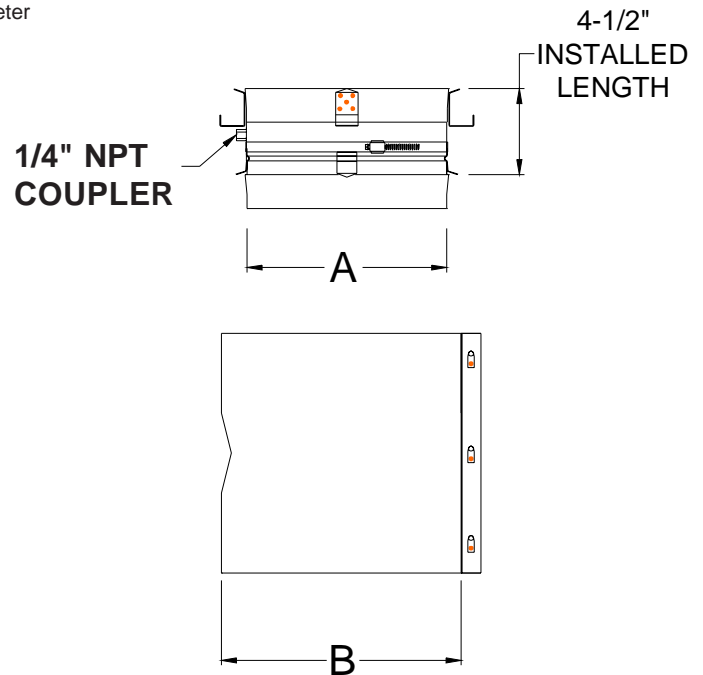
# Saf-T Vent<sup>®</sup> CI Plus

DOUBLE WALL AL 29-4C<sup>®</sup> SPECIAL GAS VENT

## Accessories:

**In-Line Probe Section** — Use to attach probes to the vent system by means of a 1/4" NPT female fitting. Can be used vertically or horizontally. Comes standard with a coupler made of 430 stainless steel with an outlet for the probe fitting, a 1/4" NPT plug, a locking strap and a rotating clamp for directional changes.

Part Number	DIM - A Nominal Inner Diameter	DIM - B Nominal Diameter Outer Jacket
CCA04PRB	4	6.3
CCA05PRB	5	7.3
CCA06PRB	6	8.3
CCA07PRB	7	9.3
CCA08PRB	8	10.3
CCA09PRB	9	11.3
CCA10PRB	10	12.3
CCA12PRB	12	14.3
CCA14PRB	14	16.3
CCA16PRB	16	18.3
CCA18PRB	18	20.3
CCA20PRB	20	22.3
CCA22PRB	22	24.3
CCA24PRB	24	26.3
CCA26PRB	26	28.3
CCA28PRB	28	30.3
CCA30PRB	30	32.3
CCA32PRB	32	34.3



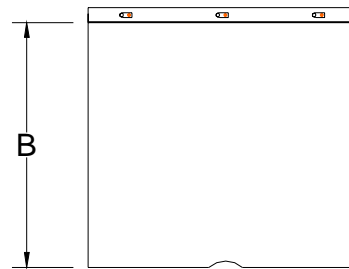
# Saf-T Vent® CI Plus

DOUBLE WALL AL 29-4C® SPECIAL GAS VENT

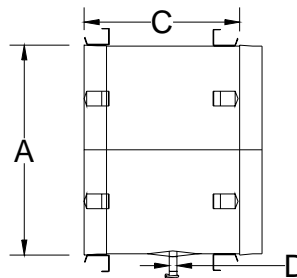
## Accessories:

**Horizontal/Vertical In-Line Drain Section** — Use to drain away condensate from the vent system. The unique design of this part allows it to be installed in a horizontal, vertical or inclined orientation. Continuous horizontal runs in excess of 30 feet require a condensate drain. High temperature silicone tubing is available separately. The outer jacket consists of an 12" long coupler made of 430 stainless steel with an outlet for the drain and also comes standard with a locking strap and a rotating clamp.

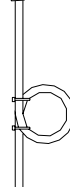
Part Number	DIM - A Nominal Diameter Inner Diameter	DIM - B Nominal Diameter Outer Jacket	DIM - C Installed Length	DIM - D Drain Diameter OD
CCA04DRN	4	6.3	4.5	0.5
CCA05DRN	5	7.3	4.5	0.5
CCA06DRN	6	8.3	4.5	0.5
CCA07DRN	7	9.3	4.5	0.5
CCA08DRN	8	10.3	4.5	0.5
CCA09DRN	9	11.3	4.5	0.5
CCA10DRN	10	12.3	4.5	0.5
CCA12DRN	12	14.3	4.5	0.5
CCA14DRN	14	16.3	4.5	0.5
CCA16DRN	16	18.3	4.5	0.5
CCA18DRN	18	20.3	4.5	0.5
CCA20DRN	20	22.3	4.5	0.5
CCA22DRN	22	24.3	4.5	0.5
CCA24DRN	24	26.3	4.5	0.5
CCA26DRN	26	28.3	4.5	0.5
CCA28DRN	28	30.3	4.5	0.5
CCA30DRN	30	32.3	4.5	0.5
CCA32DRN	32	34.3	4.5	0.5



**Coupler (included)**



**In-Line Drain Section**



**Drain Tube Kit (sold separately)**

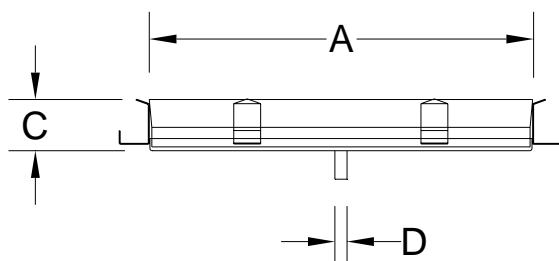
# Saf-T Vent<sup>®</sup> CI Plus

DOUBLE WALL AL 29-4C<sup>®</sup> SPECIAL GAS VENT

## Boot Tees & Covers:

**Tee Cover with Drain Fitting** — Use at the base of a Boot Tee to drain away condensate from a vent system. High temperature silicone tubing is available separately. The drain cover comes standard with a locking strap and finish coupler. Other drain options are available on larger diameters upon request, contact Heatfab's EngineeringTeam.

Part Number	DIM - A Nominal Diameter Inner Diameter	DIM - B Nominal Diameter Outer Jacket	DIM - C Height	DIM - D Drain Diameter OD
CCA04DCV	4	6.3	1.62	0.375
CCA05DCV	5	7.3	1.62	0.375
CCA06DCV	6	8.3	1.62	0.375
CCA07DCV	7	9.3	1.62	0.375
CCA08DCV	8	10.3	1.62	0.375
CCA09DCV	9	11.3	1.62	0.5
CCA10DCV	10	12.3	1.62	0.5
CCA12DCV	12	14.3	1.62	0.5
CCA14DCV	14	16.3	1.62	0.5
CCA16DCV	16	18.3	1.62	0.5
CCA18DCV	18	20.3	1.62	0.5
CCA20DCV	20	22.3	1.62	.62
CCA22DCV	22	24.3	1.62	.62
CCA24DCV	24	26.3	1.62	.62
CCA26DCV	26	28.3	1.62	.75 female NPT
CCA28DCV	28	30.3	1.62	.75 female NPT
CCA30DCV	30	32.3	1.62	.75 female NPT
CCA32DCV	32	34.3	1.62	.75 female NPT



**Drain Cover**

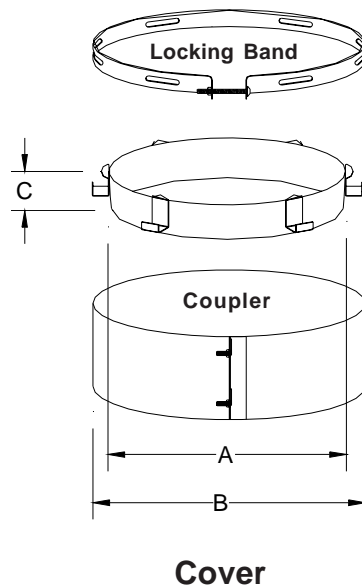
# Saf-T Vent® CI Plus

DOUBLE WALL AL 29-4C® SPECIAL GAS VENT

## Boot Tees & Covers:

**Tee Cover**— Use to cap off the male end of a Boot Tee body that is installed horizontally. The tee cover / boot tee combination allows for the future addition of appliances to a common-vent system. The cover comes with a locking strap and a finish coupler that is made of the same 430 stainless steel as the outer jacket to give a finished look to the installation.

Part Number	DIM - A Nominal Inner Diameter	DIM - B Nominal Diameter Outer Jacket	DIM - C Height
CCA04CV	4	6.3	1.62
CCA05CV	5	7.3	1.62
CCA06CV	6	8.3	1.62
CCA07CV	7	9.3	1.62
CCA08CV	8	10.3	1.62
CCA09CV	9	11.3	1.62
CCA10CV	10	12.3	1.62
CCA12CV	12	14.3	1.62
CCA14CV	14	16.3	1.62
CCA16CV	16	18.3	1.62
CCA18CV	18	20.3	1.62
CCA20CV	20	22.3	1.62
CCA22CV	22	24.3	1.62
CCA24CV	24	26.3	1.62
CCA26CV	26	28.3	1.62
CCA28CV	28	30.3	1.62
CCA30CV	30	32.3	1.62
CCA32CV	32	34.3	1.62



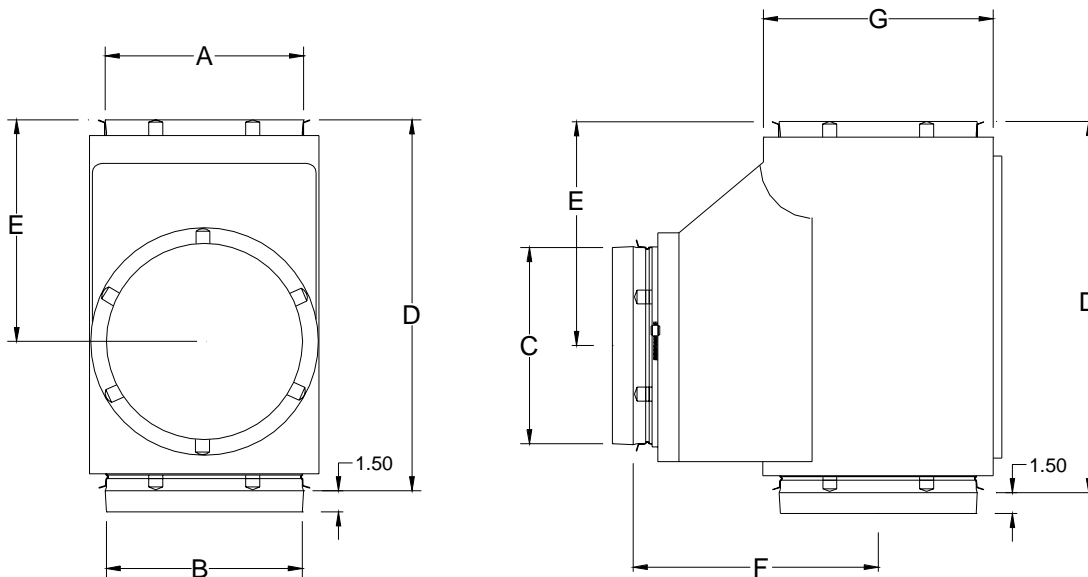
# Saf-T Vent® CI Plus

DOUBLE WALL AL 29-4C® SPECIAL GAS VENT

## Boot Tees:

**Boot Tee** — Use vertically or horizontally to add appliances into a common-vent system. When installed horizontally, the male end of the tee body may be capped off with a tee cover to allow for future appliances. When used in conjunction with a drain tee cover, the boot tee will effectively transition a vent system from a horizontal to a vertical orientation while allowing for proper condensate drainage. The pressure drop through the tap for this fitting is equivalent to 15 feet of horizontal vent. Both inlet connections rotate to accommodate direction changes. Each Boot Tee comes standard with a coupler, one joint locking strap and two rotating clamps.

Part Number	DIM - A Out Nominal Diameters Vent Pipe	DIM - B In Nominal Diameters Vent Pipe	DIM - C Tap	DIM - D Installed Length	DIM - E Centerline of Tap to Outlet	DIM - F Installed from Tap to Outlet Centerline	DIM - G Nominal Diameter Outer Jacket
CCA04BT	4	4	4	16.5	11	12.5	6.3
CCA05BT	5	5	5	17.5	11.5	13	7.3
CCA06BT	6	6	6	18.5	12	13.5	8.3
CCA07BT	7	7	7	19.5	12.5	14	9.3
CCA08BT	8	8	8	20.5	13	14.5	10.3
CCA09BT	9	9	9	21.5	13.5	15	11.3
CCA10BT	10	10	10	22.5	14	15.5	12.3
CCA12BT	12	12	12	24.5	15	16.5	14.3
CCA14BT	14	14	14	26.5	16	17.5	16.3
CCA16BT	16	16	16	28.5	17	18.5	18.3
CCA18BT	18	18	18	30.5	18	19.5	20.3
CCA20BT	20	20	20	32.5	19	20.5	22.3
CCA22BT	22	22	22	34.5	20	21.5	24.3
CCA24BT	24	24	24	36.5	21	22.5	26.3
CCA26BT	26	26	26	38.5	22	23.5	28.3
CCA28BT	28	28	28	40.5	23	24.5	30.3
CCA30BT	30	30	30	42.5	24	25.5	32.3



## Boot Tee

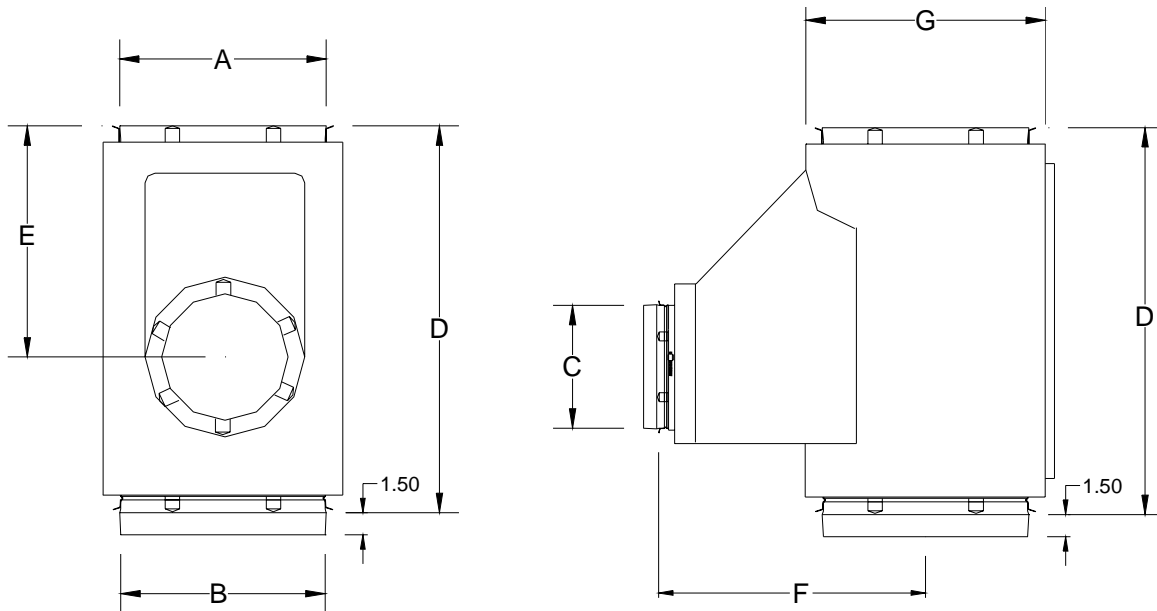
# Saf-T Vent® CI Plus

DOUBLE WALL AL 29-4C® SPECIAL GAS VENT

## Boot Tees with Reducing Tap:

**Boot Tee** — Use vertically or horizontally to add appliances into a common-vent system. When installed horizontally, the male end of the tee body may be capped off with a tee cover to allow for future appliances. When used in conjunction with a drain tee cover, the boot tee will effectively transition a vent system from a horizontal to a vertical orientation while allowing for proper condensate drainage. The pressure drop through the tap for this fitting is equivalent to 15 feet of horizontal vent. Both inlet connections rotate to accommodate direction changes. Each boot tee comes standard with a coupler, one joint locking strap, and two rotating clamps. Other diameter configurations may be available. Please contact Heatfab's Engineering Team to discuss your special needs.

Part Number	DIM - A Out Nominal Diameters	DIM - B In Nominal Diameters	DIM - C Tap	DIM - D Installed Length	DIM - E Centerline of Tap to Outlet	DIM - F Installed from Tap to Outlet Centerline	DIM - G Nominal Diameter Outer Jacket
CCA08BT06	8	8	6	18.5	12.0	14.5	10.3
CCA10BT06	10	10	6	18.5	12.0	15.5	12.3
CCA10BT08	10	10	8	20.5	13.0	15.5	12.3
CCA12BT06	12	12	6	18.5	12.0	16.5	14.3
CCA12BT08	12	12	8	20.5	13.0	16.5	14.3
CCA12BT10	12	12	10	22.5	14.0	16.5	14.3
CCA14BT06	14	14	6	18.5	12.0	17.5	16.3
CCA14BT08	14	14	8	20.5	13.0	17.5	16.3
CCA14BT10	14	14	10	22.5	14.0	17.5	16.3
CCA16BT14	16	16	14	26.5	16.0	18.5	18.3
CCA18BT16	18	18	16	28.5	17.0	19.5	20.3
CCA20BT18	20	20	18	30.5	18.0	20.5	22.3
CCA22BT10	22	22	10	22.5	14.0	21.5	24.3
CCA24BT12	24	24	12	24.5	15.0	22.5	26.3



**Boot Tee**

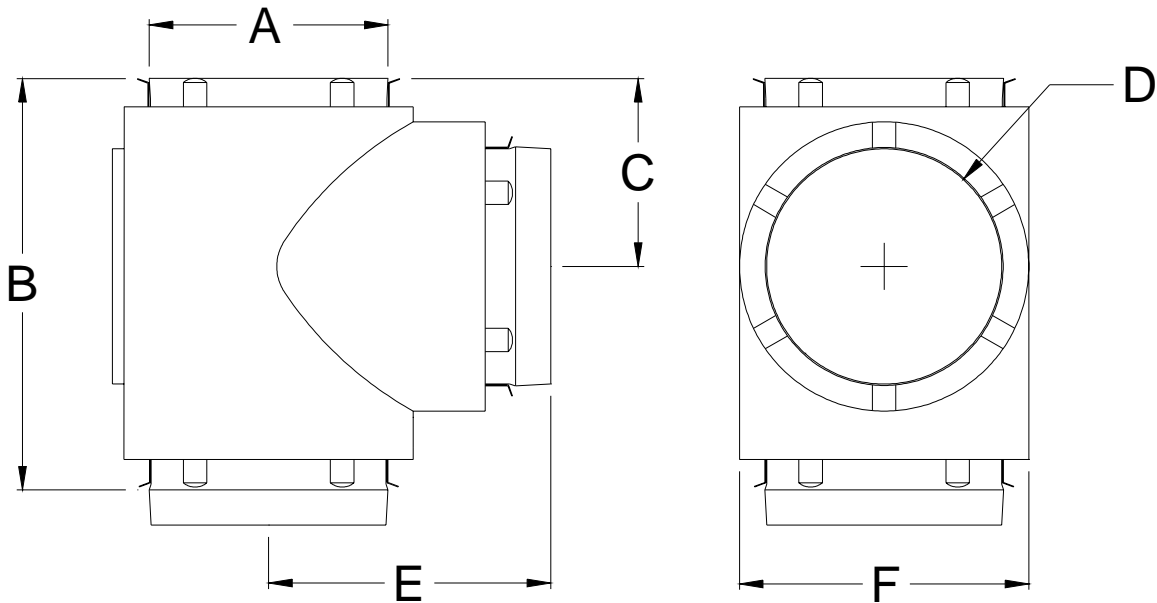
# Saf-T Vent<sup>®</sup> CI Plus

DOUBLE WALL AL 29-4C<sup>®</sup> SPECIAL GAS VENT

## Square Tees:

**Square Tee** — Due to the significant pressure drop of this fitting, Heat-fab recommends it be used as an inspection port only. Use vertically or horizontally to add appliances into a common-vent system. When installed horizontally, the male end of the tee body may be capped off with a tee cover to allow for future appliances. When used in conjunction with a drain tee cover, the square tee will effectively transition a vent system from a horizontal to a vertical orientation while allowing for proper condensate drainage. The pressure drop through the tap for this fitting is equivalent to 45 feet of horizontal vent. Both inlet connections rotate to accommodate direction changes. Each Square Tee comes standard with a coupler, one joint locking strap, and two rotating clamps.

Part Number	DIM - A Nominal Diameter Inner vent	DIM - B Installed Length	DIM - C Centerline of Tap to Inlet	DIM - D Tap ID	DIM - E Centerline to Edge of Tap	DIM - F Nominal Diameter Outer Jacket
CCA04ST	4	11.5	5	4	6	6.3
CCA05ST	5	12.5	5.5	5	7	7.3
CCA06ST	6	13.5	6	6	8.5	8.3
CCA07ST	7	14.5	6.5	7	9	9.3
CCA08ST	8	15.5	7	8	10	10.3
CCA09ST	9	16.5	7.5	9	11	11.3
CCA10ST	10	17.5	8	10	12	12.3
CCA12ST	12	19.5	9	12	14	14.3
CCA14ST	14	21.5	10	14	16	16.3
CCA16ST	16	23.5	11	16	18	18.3
CCA18ST	18	25.5	12	18	20	20.3



**Square Tee**



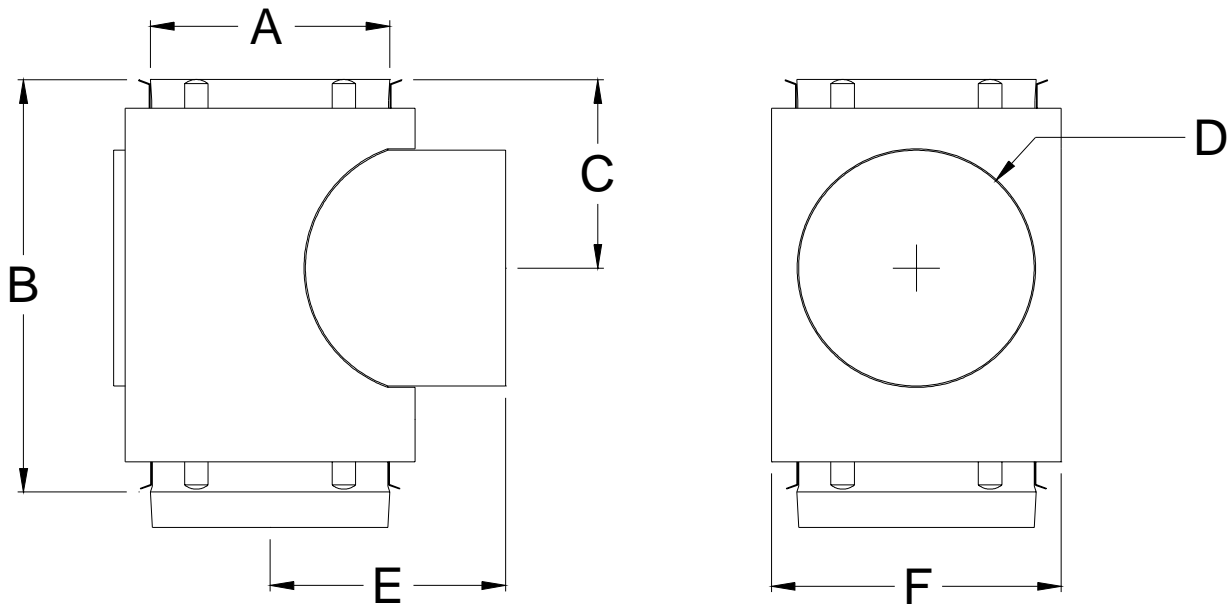
# Saf-T Vent® CI Plus

DOUBLE WALL AL 29-4C® SPECIAL GAS VENT

## Barometric Tees:

**Barometric Tee** — Use to attach a standard barometric damper (supplied by others) to the vent system. Use only if recommended by the appliance manufacturer and a qualified designer of vent systems. Each barometric tee comes standard with a coupler and a joint locking strap.

Part Number	DIM - A Nominal Diameter Inner vent	DIM - B Installed Length	DIM - C Centerline of Tap to Inlet	DIM - D Tap ID	DIM - E Centerline to Edge of Tap	DIM - F Nominal Diameter OuterJacket
CCA04BAR	4	11.5	5.0	4	5	6.3
CCA05BAR	5	12.5	5.5	5	5	7.3
CCA06BAR	6	13.5	6.0	6	6	8.3
CCA07BAR	7	14.5	6.5	7	7	9.3
CCA08BAR	8	15.5	7.0	8	8	10.3
CCA09BAR	9	16.5	7.5	9	9	11.3
CCA10BAR	10	17.5	8.0	10	10	12.3
CCA12BAR	12	19.5	9.0	12	12	14.3
CCA14BAR	14	21.5	10.0	14	14	16.3
CCA16BAR	16	23.5	11.0	16	16	18.3
CCA18BAR	18	25.5	12.0	18	18	20.3



**Barometric Tee**

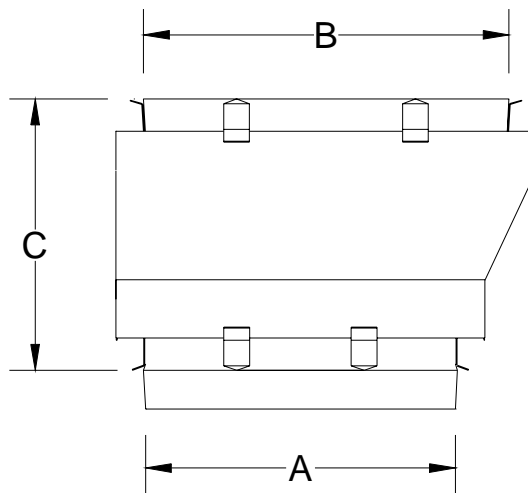
# Saf-T Vent<sup>®</sup> CI Plus

## DOUBLE WALL AL 29-4C<sup>®</sup> SPECIAL GAS VENT

### Increasers:

**Increaser** — Use to upsize a vent system. The term “increaser” is based on an increase in vent diameter in the direction of flue gas motion. Increasers are eccentric to allow for proper drainage of condensate when installed horizontally. Each increaser comes standard with a coupler that will fit the outlet diameter. Other diameter configurations may be available; please contact Heat-fab’s Engineering Team to discuss your special needs.

Part Number	DIM - A Inlet Diameter	DIM - B Outlet Diameter	DIM - C Installed Length
CCA04NCR06	4	6	10.5
CCA05NCR07	5	7	10.5
CCA06NCR08	6	8	10.5
CCA07NCR09	7	9	10.5
CCA08NCR10	8	10	10.5
CCA09NCR10	9	10	10.5
CCA10NCR12	10	12	10.5
CCA12NCR14	12	14	10.5
CCA14NCR16	14	16	10.5
CCA16NCR18	16	18	10.5
CCA18NCR20	18	20	10.5
CCA20NCR22	20	22	10.5
CCA22NCR24	22	24	10.5
CCA24NCR26	24	26	10.5
CCA26NCR28	26	28	10.5
CCA28NCR30	28	30	10.5
CCA30NCR32	30	32	10.5



**Increaser**

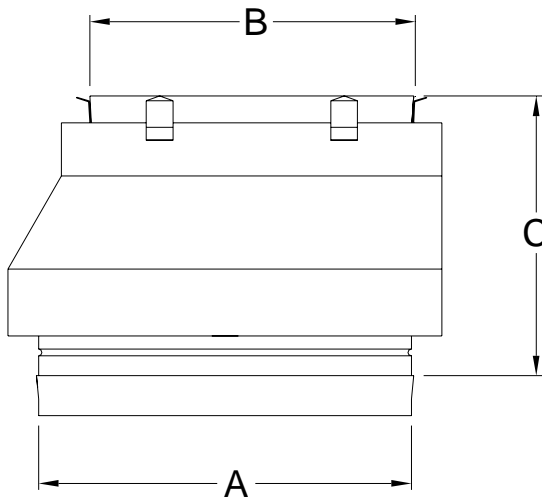
# Saf-T Vent<sup>®</sup> CI Plus

DOUBLE WALL AL 29-4C<sup>®</sup> SPECIAL GAS VENT

## Reducers:

**Reducer** — Use to downsize the vent system when adding a fan to the system. The term “reducer” is based on an reduction in vent diameter in the direction of flue gas motion. Reducers are eccentric to allow for proper drainage of condensate when installed horizontally. Each reducer comes standard with a coupler that will fit the outlet diameter. Other diameter configurations may be available; please contact Heat-fab’s Engineering Team to discuss your special needs.

Part Number	DIM - A Inlet Diameter	DIM - B Outlet Diameter	DIM - C Installed Length
CCA06RDC04	6	4	10.5
CCA08RDC06	8	6	10.5
CCA10RDC08	10	8	10.5
CCA12RDC10	12	10	10.5
CCA14RDC12	14	12	10.5
CCA16RDC14	16	14	10.5
CCA18RDC16	18	16	10.5



**Reducer**

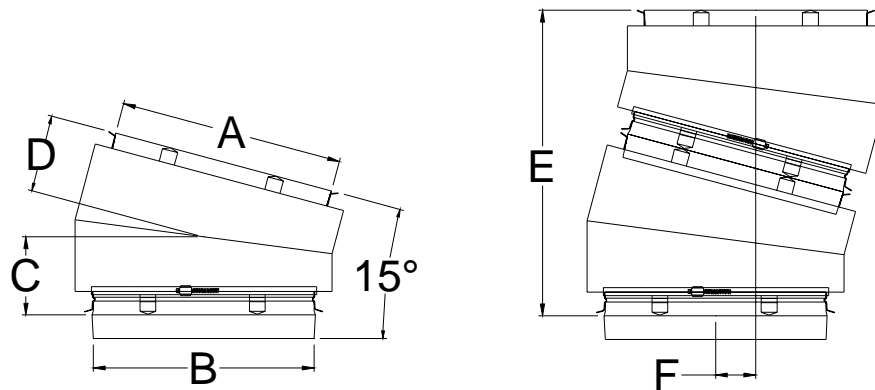
# Saf-T Vent<sup>®</sup> CI Plus

DOUBLE WALL AL 29-4C<sup>®</sup> SPECIAL GAS VENT

## Elbows:

**15° Elbow**— Use to achieve offsets or changes in the direction of the vent system. The degree of these welded seam elbows is not adjustable. The pressure drop for this fitting is equivalent to 3 feet of horizontal vent. The inlet connection rotates to accommodate direction changes. Each elbow comes standard with a coupler, joint locking strap, and a rotating clamp.

Part Number	DIM - A Nominal Diameter Inner vent	DIM - B Nominal Diameter Outer Jacket	DIM - C Rise	DIM - D Run	DIM - E Combined Installed Height	DIM - F Offset
CCA04E15	4	6.3	4.3	4.43	16.7	2.3
CCA05E15	5	7.3	4.4	4.4	16.9	2.3
CCA06E15	6	8.3	4.4	4.4	17.2	2.3
CCA07E15	7	9.3	4.5	4.5	17.5	2.3
CCA08E15	8	10.3	4.5	4.5	17.8	2.4
CCA09E15	9	11.3	4.6	4.6	18.1	2.4
CCA10E15	10	12.3	4.7	4.7	18.3	2.4
CCA12E15	12	14.3	4.8	4.8	18.8	2.5
CCA14E15	14	16.3	4.9	4.9	19.3	2.6
CCA16E15	16	18.3	5.0	5.0	19.9	2.6
CCA18E15	18	20.3	5.2	5.2	20.4	2.7
CCA20E15	20	22.3	5.3	5.3	20.9	2.8
CCA22E15	22	24.3	5.4	5.4	21.4	2.8
CCA24E15	24	26.3	5.6	5.6	21.9	2.9
CCA26E15	26	28.3	5.7	5.7	22.5	3.0
CCA28E15	28	30.3	5.8	5.8	23.0	3.1
CCA30E15	30	32.3	6.0	6.0	23.5	3.1
CCA32E15	32	34.3	6.1	6.1	24.0	3.2



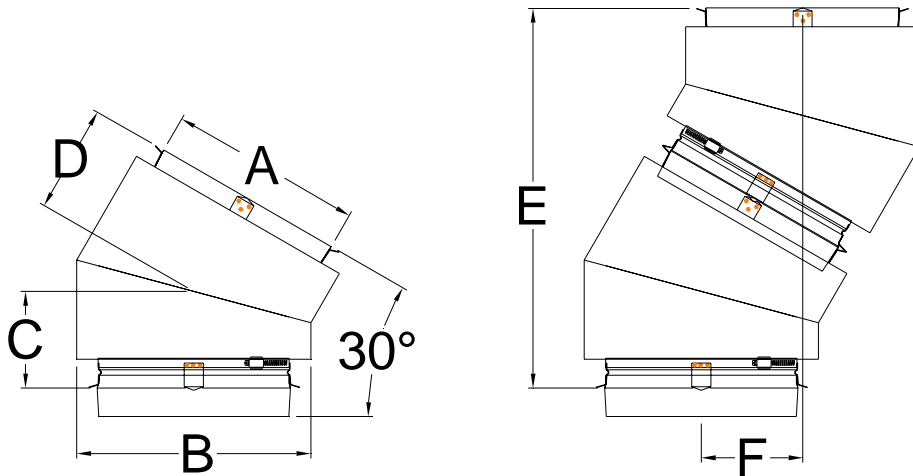
# Saf-T Vent® CI Plus

DOUBLE WALL AL 29-4C® SPECIAL GAS VENT

## Elbows:

**30° Elbow**— Use to achieve offsets or changes in the direction of the vent system. The degree of these welded seam elbows is not adjustable. The pressure drop for this fitting is equivalent to 5 feet of horizontal vent. The inlet connection rotates to accommodate direction changes. Each elbow comes standard with a coupler, joint locking strap, and a rotating clamp.

Part Number	DIM - A Nominal Diameter Inner vent	DIM - B Nominal Diameter Outer Jacket	DIM - C Rise	DIM - D Run	DIM - E Combined Installed Height	DIM - F Offset
CCA04E30	4	6.3	4.3	4.8	17	4.5
CCA05E30	5	7.3	4.4	5.0	17.3	4.6
CCA06E30	6	8.3	4.5	5.1	18	4.8
CCA07E30	7	9.3	4.7	5.2	18.3	5.0
CCA08E30	8	10.3	4.8	5.3	19	5.0
CCA09E30	9	11.3	4.9	5.5	19.3	5.2
CCA10E30	10	12.3	5.0	5.6	20	5.3
CCA12E30	12	14.3	5.3	5.9	21	5.6
CCA14E30	14	16.3	5.6	6.1	22	5.9
CCA16E30	16	18.3	5.8	6.4	23	6.1
CCA18E30	18	20.3	6.1	6.7	24	6.4
CCA20E30	20	22.3	6.4	7.0	25	6.7
CCA22E30	22	24.3	6.6	7.2	26	7.0
CCA24E30	24	26.3	6.9	7.5	27	7.2
CCA26E30	26	28.3	7.2	7.8	28	7.5
CCA28E30	28	30.3	7.4	8.0	29	7.7
CCA30E30	30	32.3	7.7	8.3	30	8.0
CCA32E30	32	34.3	8.0	8.6	31	8.3



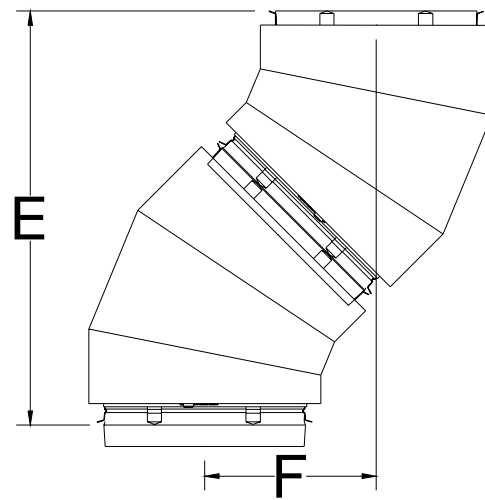
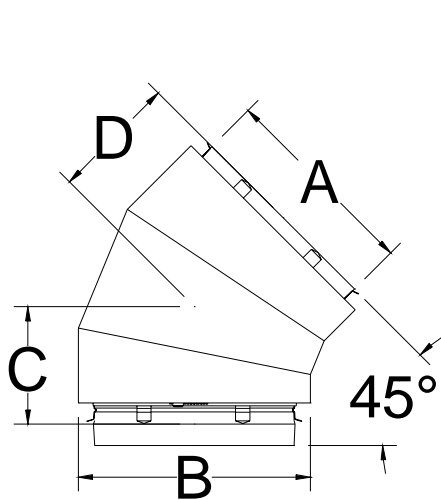
# Saf-T Vent<sup>®</sup> CI Plus

DOUBLE WALL AL 29-4C<sup>®</sup> SPECIAL GAS VENT

## Elbows:

**45° Elbow**— Use to achieve offsets or changes in the direction of the vent system. The degree of these welded seam elbows is not adjustable. The pressure drop for this fitting is equivalent to 8 feet of horizontal vent. The inlet connection rotates to accommodate direction changes. Each elbow comes standard with a coupler, joint locking strap, and a rotating clamp.

Part Number	DIM - A Nominal Diameter Inner vent	DIM - B Nominal Diameter Outer Jacket	DIM - C Rise	DIM - D Run	DIM - E Combined Installed Height	DIM - F Offset
CCA04E45	4	6.3	6.2	6.7	22.1	9.2
CCA05E45	5	7.3	6.4	7.0	23.3	9.4
CCA06E45	6	8.3	6.6	7.2	23.6	9.7
CCA07E45	7	9.3	6.8	7.4	24.3	10.0
CCA08E45	8	10.3	7.0	7.6	24.9	10.3
CCA09E45	9	11.3	7.2	7.8	25.2	10.6
CCA10E45	10	12.3	7.4	8.0	26.5	10.9
CCA12E45	12	14.3	7.8	8.4	27.7	11.6
CCA14E45	14	16.3	8.0	8.8	29.0	12.0
CCA16E45	16	18.3	8.7	9.3	30.4	12.6
CCA18E45	18	20.3	9.1	9.7	32.0	13.3
CCA20E45	20	22.3	9.5	10.1	33.3	13.8
CCA22E45	22	24.3	9.9	10.5	34.8	14.4
CCA24E45	24	26.3	10.3	10.9	36.3	15.1
CCA26E45	26	28.3	11.1	11.1	37.5	15.6
CCA28E45	28	30.3	11.2	11.7	39.1	16.2
CCA30E45	30	32.3	11.6	12.1	40.4	16.8
CCA32E45	32	34.3	12.0	12.6	41.9	17.3



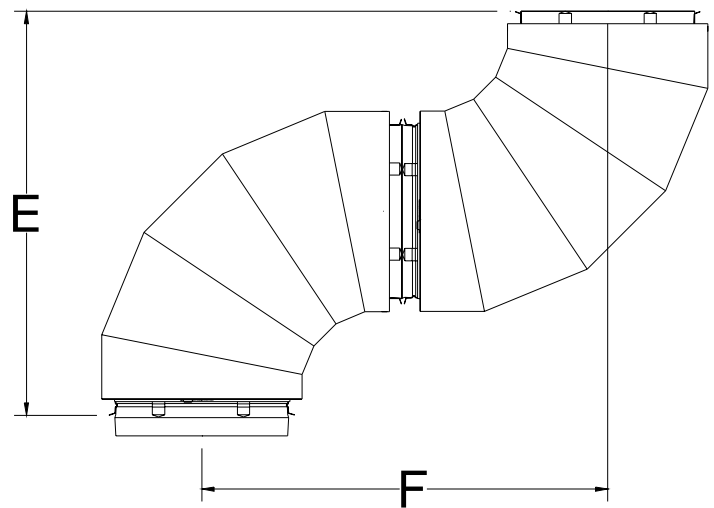
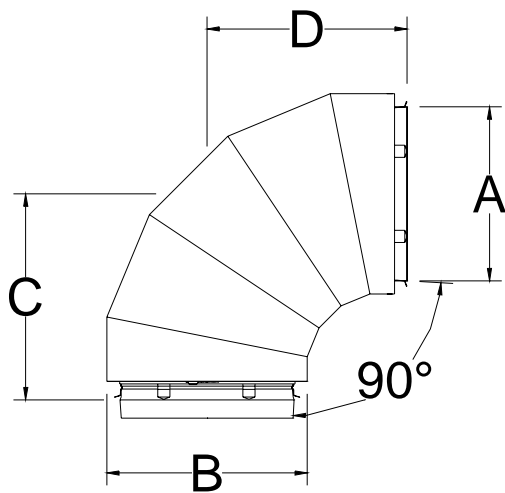
# Saf-T Vent® CI Plus

DOUBLE WALL AL 29-4C® SPECIAL GAS VENT

## Elbows:

**90° Elbow**— Use to achieve offsets or changes in the direction of the vent system. The degree of these welded seam elbows is not adjustable. The pressure drop for this fitting is equivalent to 15 feet of horizontal vent. The inlet connection rotates to accommodate direction changes. Each elbow comes standard with a coupler, joint locking strap, and a rotating clamp. For diameters above 24" use two 45° elbows.

Part Number	DIM - A	DIM - B	DIM - C	DIM - D	DIM - E	DIM - F
	Nominal Diameter Inner vent	Nominal Diameter Outer Jacket	Rise	Run	Combined Installed Height	Offset
CCA04E90	4	6.3	11.7	11.3	23	23
CCA05E90	5	7.3	12.3	11.8	24	24
CCA06E90	6	8.3	12.8	12.3	25	25
CCA07E90	7	9.3	13.3	12.8	26	26
CCA08E90	8	10.3	13.8	13.3	27	27
CCA09E90	9	11.3	14.3	13.8	28	28
CCA10E90	10	12.3	14.8	14.3	29	29
CCA12E90	12	14.3	15.8	15.3	31	31
CCA14E90	14	16.3	16.8	16.3	33	33
CCA16E90	16	18.3	17.8	17.3	35	35
CCA18E90	18	20.3	18.8	18.3	37	37
CCA20E90	20	22.3	19.8	19.3	39	39
CCA22E90	22	24.3	20.8	20.3	41	41
CCA24E90	24	26.3	21.8	21.3	43	43



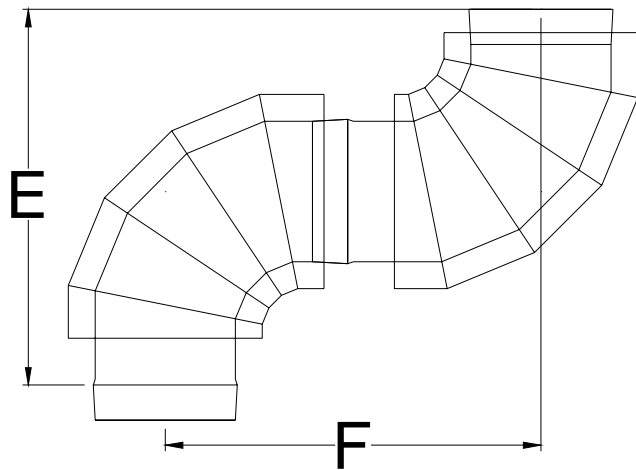
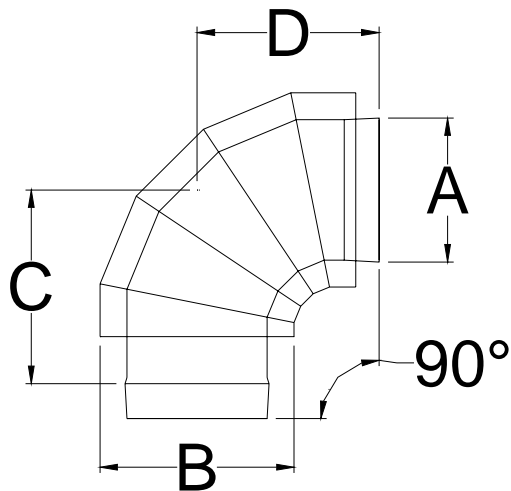
# Saf-T Vent<sup>®</sup> CI Plus

DOUBLE WALL AL 29-4C<sup>®</sup> SPECIAL GAS VENT

## Elbows:

**Tight Radius 90° Elbow**— Use to achieve offsets or changes in the direction of the vent system where a conventional long radius 90 degree elbow will not fit. The degree of these welded seam elbows is not adjustable. The pressure drop for this fitting is equivalent to 15 feet of horizontal vent. The inlet connection rotates to accommodate direction changes. Each elbow comes standard with a coupler, joint locking strap, and a rotating clamp.

Part Number	DIM - A Nominal Diameter Inner vent	DIM - B Nominal Diameter Outer Jacket	DIM - C Rise	DIM - D Run	DIM - E Combined Installed Height	DIM - F Offset
CCA04E90TR	4	6.3	7.3	6.8	14	14
CCA05E90TR	5	7.3	7.8	7.5	15	15
CCA06E90TR	6	8.3	8.3	7.8	16	16
CCA07E90TR	7	9.3	8.8	8.3	17	17
CCA08E90TR	8	10.3	9.3	8.8	18	18
CCA09E90TR	9	11.3	9.8	9.3	19	19
CCA10E90TR	10	12.3	10.3	9.8	20	20





# Saf-T Vent® CI Plus

DOUBLE WALL AL 29-4C® SPECIAL GAS VENT

## Straight Lengths:

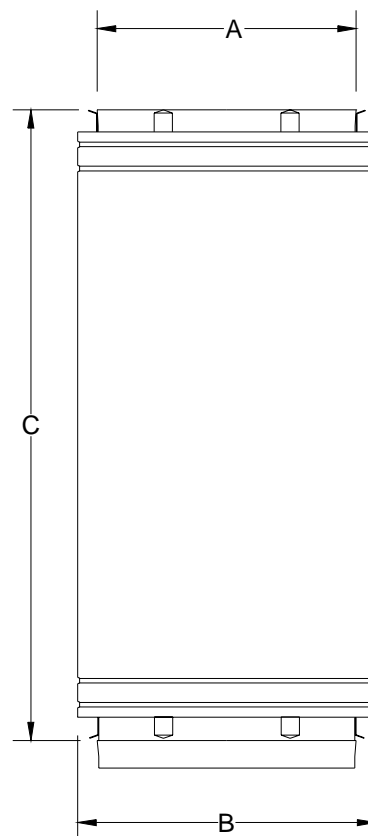
**Horizontal and Vertical** —When used horizontally, install vent with a continuous pitch of 1/4" per foot, sloping upward toward the termination (unless otherwise specified by the appliance manufacturer). It is important to provide adequate support to a Saf-T Vent CI Plus system, refer to installation instructions for support specifications. Each section comes with a coupler and a joint locking strap.

### 6" Length

Part Number	DIM - A Nominal Vent Pipe Diameter	DIM - B Nominal Outer Jacket Diameter	DIM - C Installed Length
CCA04L6	4	6.3	4.5
CCA05L6	5	7.3	4.5
CCA06L6	6	8.3	4.5
CCA07L6	7	9.3	4.5
CCA08L6	8	10.3	4.5
CCA09L6	9	11.3	4.5
CCA10L6	10	12.3	4.5
CCA12L6	12	14.3	4.5
CCA14L6	14	16.3	4.5
CCA16L6	16	18.3	4.5
CCA18L6	18	20.3	4.5
CCA20L6	20	22.3	4.5
CCA22L6	22	24.3	4.5
CCA24L6	24	26.3	4.5
CCA26L6	26	28.3	4.5
CCA28L6	28	30.3	4.5
CCA30L6	30	32.3	4.5
CCA32L6	32	34.3	4.5

### 9" Length

CCA04L9	4	6.3	7.5
CCA05L9	5	7.3	7.5
CCA06L9	6	8.3	7.5
CCA07L9	7	9.3	7.5
CCA08L9	8	10.3	7.5
CCA09L9	9	11.3	7.5
CCA10L9	10	12.3	7.5
CCA12L9	12	14.3	7.5
CCA14L9	14	16.3	7.5
CCA16L9	16	18.3	7.5
CCA18L9	18	20.3	7.5
CCA20L9	20	22.3	7.5
CCA22L9	22	24.3	7.5
CCA24L9	24	26.3	7.5
CCA26L9	26	28.3	7.5
CCA28L9	28	30.3	7.5
CCA30L9	30	32.3	7.5
CCA32L9	32	34.3	7.5



# Saf-T Vent® CI Plus

DOUBLE WALL AL 29-4C® SPECIAL GAS VENT

## Straight Lengths:

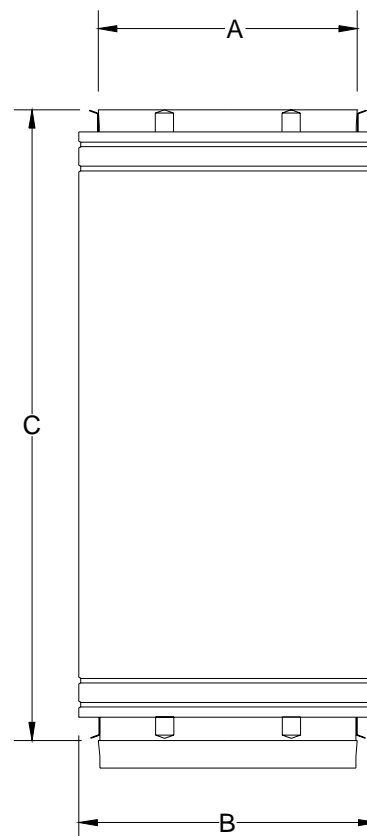
**Horizontal and Vertical** —When used horizontally, install vent with a continuous pitch of 1/4" per foot, sloping upward toward the termination (unless otherwise specified by the appliance manufacturer). It is important to provide adequate support to a Saf-T Vent CI Plus system, refer to installation instructions for support specifications. Each section comes with a coupler and a joint locking strap.

### 12" Length

Part Number	DIM - A Nominal Vent Pipe Diameter	DIM - B Nominal Outer Jacket Diameter	DIM - C Installed Length
CCA04L12	4	6.3	10.5
CCA05L12	5	7.3	10.5
CCA06L12	6	8.3	10.5
CCA07L12	7	9.3	10.5
CCA08L12	8	10.3	10.5
CCA09L12	9	11.3	10.5
CCA10L12	10	12.3	10.5
CCA12L12	12	14.3	10.5
CCA14L12	14	16.3	10.5
CCA16L12	16	18.3	10.5
CCA18L12	18	20.3	10.5
CCA20L12	20	22.3	10.5
CCA22L12	22	24.3	10.5
CCA24L12	24	26.3	10.5
CCA26L12	26	28.3	10.5
CCA28L12	28	30.3	10.5
CCA30L12	30	32.3	10.5
CCA32L12	32	34.3	10.5

### 18" Length

CCA04L18	4	6.3	16.5
CCA05L18	5	7.3	16.5
CCA06L18	6	8.3	16.5
CCA07L18	7	9.3	16.5
CCA08L18	8	10.3	16.5
CCA09L18	9	11.3	16.5
CCA10L18	10	12.3	16.5
CCA12L18	12	14.3	16.5
CCA14L18	14	16.3	16.5
CCA16L18	16	18.3	16.5
CCA18L18	18	20.3	16.5
CCA20L18	20	22.3	16.5
CCA22L18	22	24.3	16.5
CCA24L18	24	26.3	16.5
CCA26L18	26	28.3	16.5
CCA28L18	28	30.3	16.5
CCA30L18	30	32.3	16.5
CCA32L18	32	34.3	16.5



Heatfab Division, Selkirk Corp.

130 Industrial Boulevard • Turners Falls, MA 01376

Phone 800 772 0739 • Fax 413 863 4803 • www.heat-fab.com

# Saf-T Vent® CI Plus

DOUBLE WALL AL 29-4C® SPECIAL GAS VENT

## Straight Lengths:

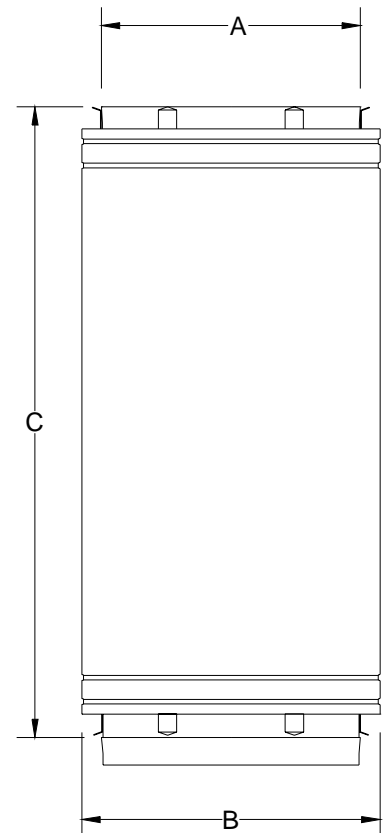
**Horizontal and Vertical** —When used horizontally, install vent with a continuous pitch of 1/4" per foot, sloping upward toward the termination (unless otherwise specified by the appliance manufacturer). It is important to provide adequate support to a Saf-T Vent CI Plus system, refer to installation instructions for support specifications. Each section comes with a coupler and a joint locking strap.

### 24" Length

Part Number	DIM - A Nominal Vent Pipe Diameter	DIM - B Nominal Outer Jacket Diameter	DIM - C Installed Length
CCA04L24	4	6.3	22.5
CCA05L24	5	7.3	22.5
CCA06L24	6	8.3	22.5
CCA07L24	7	9.3	22.5
CCA08L24	8	10.3	22.5
CCA09L24	9	11.3	22.5
CCA10L24	10	12.3	22.5
CCA12L24	12	14.3	22.5
CCA14L24	14	16.3	22.5
CCA16L24	16	18.3	22.5
CCA18L24	18	20.3	22.5
CCA20L24	20	22.3	22.5
CCA22L24	22	24.3	22.5
CCA24L24	24	26.3	22.5
CCA26L24	26	28.3	22.5
CCA28L24	28	30.3	22.5
CCA30L24	30	32.3	22.5
CCA32L24	32	34.3	22.5

### 36" Length

CCA04L36	4	6.3	36.0
CCA05L36	5	7.3	36.0
CCA06L36	6	8.3	36.0
CCA07L36	7	9.3	36.0
CCA08L36	8	10.3	36.0
CCA09L36	9	11.3	36.0
CCA10L36	10	12.3	34.5
CCA12L36	12	14.3	34.5
CCA14L36	14	16.3	34.5
CCA16L36	16	18.3	34.5
CCA18L36	18	20.3	34.5
CCA20L36	20	22.3	34.5
CCA22L36	22	24.3	34.5
CCA24L36	24	26.3	34.5
CCA26L36	26	28.3	34.5
CCA28L36	28	30.3	34.5
CCA30L36	30	32.3	34.5
CCA32L36	32	34.3	34.5



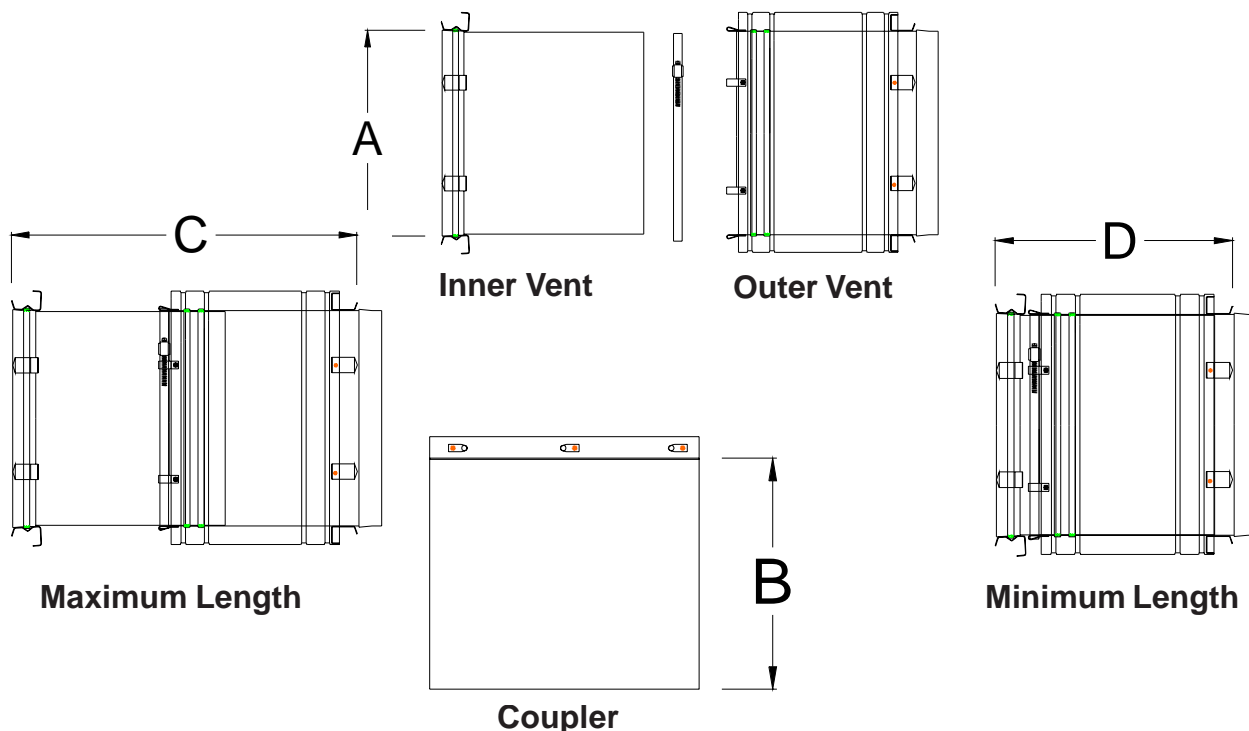
# Saf-T Vent<sup>®</sup> CI Plus

## DOUBLE WALL AL 29-4C<sup>®</sup> SPECIAL GAS VENT

### Adjustable Length:

**Long Adjustable Length** — The Saf-T Vent CI Plus Adjustable Section serves as a variable length between other components when specific lengths cannot be utilized. The installed length of the adjustable is 13" to 20 ". Each adjustable section comes with a joint locking strap and a coupler, which can be field cut. It is important to provide adequate support to a Saf-T Vent CI Plus system, refer to installation instructions for support specifications.

Part Number	DIM - A Nominal Vent Pipe Diameter	DIM - B Nominal Coupler Diameter	DIM - C Maximum Installed Length	DIM - D Minimum Installed Length
CCA04AJ	4	6.3	20	13
CCA05AJ	5	7.3	20	13
CCA06AJ	6	8.3	20	13
CCA07AJ	7	9.3	20	13
CCA08AJ	8	10.3	20	13
CCA09AJ	9	11.3	20	13
CCA10AJ	10	12.3	20	13
CCA12AJ	12	14.3	20	13
CCA14AJ	14	16.3	20	13
CCA16AJ	16	18.3	20	13
CCA18AJ	18	20.3	20	13
CCA20AJ	20	22.3	20	13
CCA22AJ	22	24.3	20	13
CCA24AJ	24	26.3	20	13
CCA26AJ	26	28.3	20	13
CCA28AJ	28	30.3	20	13
CCA30AJ	30	32.3	20	13
CCA32AJ	32	34.3	20	13



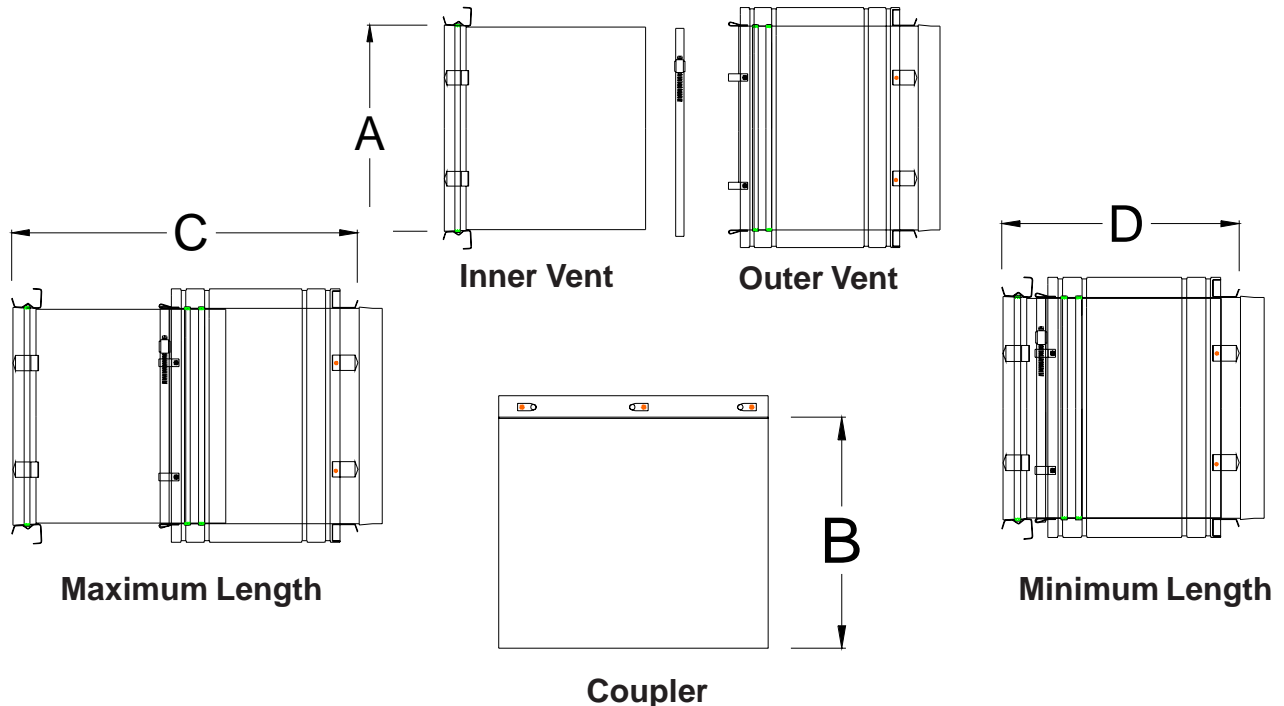
# Saf-T Vent® CI Plus

DOUBLE WALL AL 29-4C® SPECIAL GAS VENT

## Adjustable Length:

**Short Adjustable Length** — The Saf-T Vent CI Plus Adjustable Section serves as a variable length between other components when specific lengths cannot be utilized. The installed length of the adjustable is 7" to 11". Each adjustable section comes with a joint locking strap and a coupler, which can be field cut. It is important to provide adequate support to a Saf-T Vent CI Plus system, refer to installation instructions for support specifications.

Part Number	DIM - A Nominal Vent Pipe Diameter	DIM - B Nominal Coupler Diameter	DIM - C Maximum Installed Length	DIM - D Minimum Installed Length
CCA04AJSM	5	6.3	11	7
CCA05AJSM	5	7.3	11	7
CCA06AJSM	6	8.3	11	7
CCA07AJSM	7	9.3	11	7
CCA08AJSM	8	10.3	11	7
CCA09AJSM	9	11.3	11	7
CCA10AJSM	10	12.3	11	7
CCA12AJSM	12	14.3	11	7
CCA14AJSM	14	16.3	11	7
CCA16AJSM	16	18.3	11	7
CCA18AJSM	18	20.3	11	7
CCA20AJSM	20	22.3	11	7
CCA22AJSM	22	24.3	11	7
CCA24AJSM	24	26.3	11	7
CCA26AJSM	26	28.3	11	7
CCA28AJSM	28	30.3	11	7
CCA30AJSM	30	32.3	11	7
CCA32AJSM	32	34.3	11	7



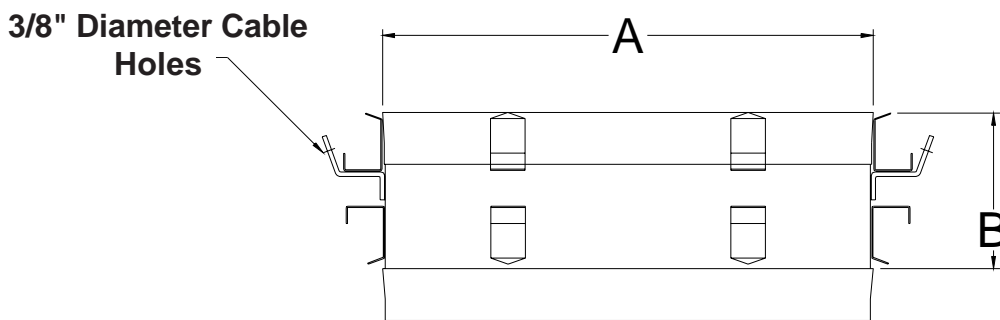
# Saf-T Vent® CI Plus

## DOUBLE WALL AL 29-4C® SPECIAL GAS VENT

### Supports:

**Guy Support Section** — Provides vertical support using a part that is a flue-gas-carrying component of the vent system. Guy sections are primarily installed in long, inaccessible chases or used to provide support to systems with extended lengths above the roofline. Attach the guy section using stainless steel or galvanized cables or chain (supplied by others). Each guy section comes with a coupler and a joint locking strap.

Part Number	DIM - A Nominal Diameter	DIM - B Installed Height	DIM - C Hole Diameter
CCA04GUY	4	4.5	0.38
CCA05GUY	5	4.5	0.38
CCA06GUY	6	4.5	0.38
CCA07GUY	7	4.5	0.38
CCA08GUY	8	4.5	0.38
CCA09GUY	9	4.5	0.38
CCA10GUY	10	4.5	0.38
CCA12GUY	12	4.5	0.38
CCA14GUY	14	4.5	0.38
CCA16GUY	16	4.5	0.38
CCA18GUY	18	4.5	0.38
CCA20GUY	20	4.5	0.38
CCA22GUY	22	4.5	0.38
CCA24GUY	24	4.5	0.38
CCA26GUY	26	4.5	0.38
CCA28GUY	28	4.5	0.38
CCA30GUY	30	4.5	0.38
CCA32GUY	32	4.5	0.38



**Guy Support Section**

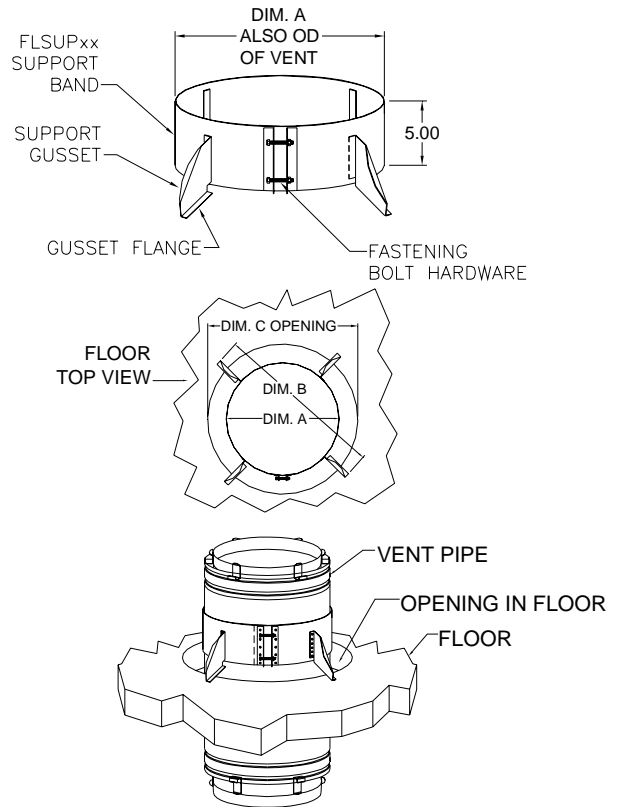
# Saf-T Vent® CI Plus

DOUBLE WALL AL 29-4C® SPECIAL GAS VENT

## Supports:

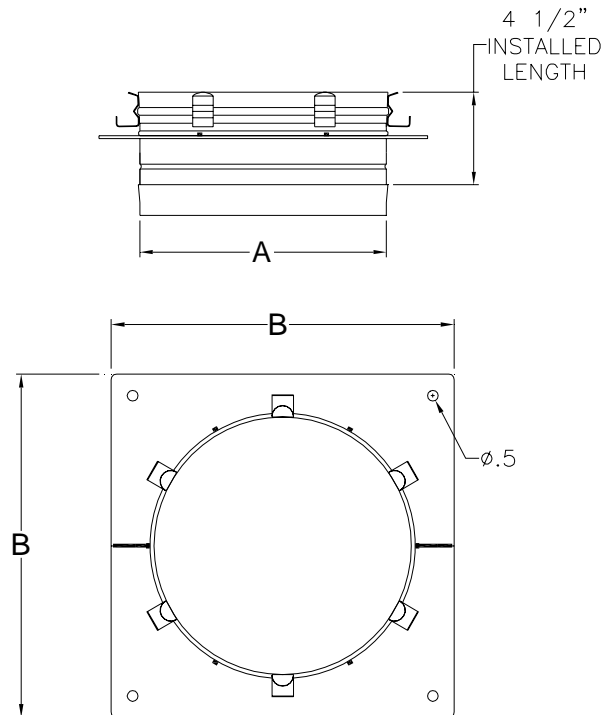
**Floor Support** — Use as a support between floors. Can also be used inside an accessible chase with the addition of site designed support brackets.

Part Number	DIM-A Vent Diameter	DIM - B Plate	DIM - C Max. Floor Opening
FLSUP06	6	14.68	11.68
FLSUP07	7	15.68	12.68
FLSUP08	8	16.68	13.68
FLSUP09	9	17.68	14.68
FLSUP10	10	18.68	15.68
FLSUP11	11	19.68	16.68
FLSUP12	12	20.68	17.68
FLSUP14	14	22.68	19.68
FLSUP16	16	24.68	21.68
FLSUP18	18	26.68	23.68
FLSUP20	20	28.68	25.68
FLSUP22	22	30.68	27.68
FLSUP24	24	32.68	29.68
FLSUP26	26	34.68	31.68
FLSUP28	28	36.68	33.68
FLSUP30	30	38.68	35.68
FLSUP32	32	40.68	37.68



**Vertical Support Plate** — Use as a vertical stack support. Can be used horizontally if needed. Framework is by others, utilizing typical construction components such as angle iron or unistrut type material. Support section is fully assembled and includes a joint band.

Part Number	DIM-A Vent Diameter	DIM - B Plate
CCA04VSP	4	8
CCA05VSP	5	9
CCA06VSP	6	10
CCA07VSP	7	11
CCA08VSP	8	12
CCA09VSP	9	13
CCA10VSP	10	14
CCA12VSP	12	15
CCA14VSP	14	16
CCA16VSP	16	18
CCA18VSP	18	20
CCA20VSP	20	22
CCA22VSP	22	24
CCA24VSP	24	26
CCA26VSP	26	28
CCA28VSP	28	30
CCA30VSP	30	32
CCA32VSP	32	34



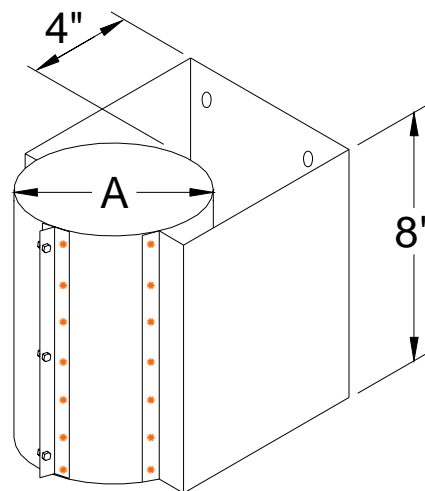
# Saf-T Vent<sup>®</sup> CI Plus

## DOUBLE WALL AL 29-4C<sup>®</sup> SPECIAL GAS VENT

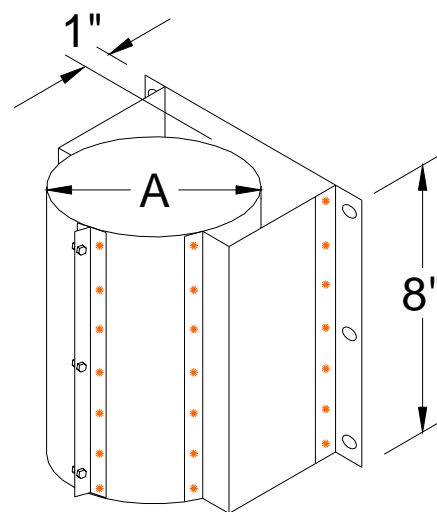
### Supports:

**Vertical Support** — Use to support Saf-T Vent CI Plus systems, the part number CCA\_VTS4 maintains a 4" clearance to combustible materials and the CCA\_VTS maintains a 1" clearance to combustible materials. Refer to the installation instructions for placement of supports.

Part Number	Inner Vent Diameter	DIM - A Nominal Outer Jacket Diameter
CCA04VTS4	4	6.3
CCA05VTS4	5	7.3
CCA06VTS4	6	8.3
CCA07VTS4	7	9.3
CCA08VTS4	8	10.3
CCA09VTS4	9	11.3
CCA10VTS4	10	12.3
CCA12VTS4	12	14.3
CCA14VTS4	14	16.3
CCA16VTS4	16	18.3
CCA18VTS4	18	20.3
CCA20VTS4	20	22.3
CCA22VTS4	22	24.3
CCA24VTS4	24	26.3
CCA26VTS4	26	28.3
CCA28VTS4	28	30.3
CCA30VTS4	30	32.3
CCA32VTS4	32	34.3



Part Number	Inner Vent Diameter	DIM - A Nominal Outer Jacket Diameter
CCA04VTS	4	6.3
CCA05VTS	5	7.3
CCA06VTS	6	8.3
CCA07VTS	7	9.3
CCA08VTS	8	10.3
CCA09VTS	9	11.3
CCA10VTS	10	12.3
CCA12VTS	12	14.3
CCA14VTS	14	16.3
CCA16VTS	16	18.3
CCA18VTS	18	20.3
CCA20VTS	20	22.3
CCA22VTS	22	24.3
CCA24VTS	24	26.3





# Saf-T Vent® CI Plus

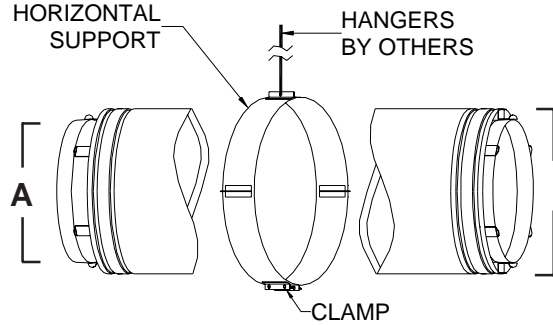
DOUBLE WALL AL 29-4C® SPECIAL GAS VENT

## Support Hangers:

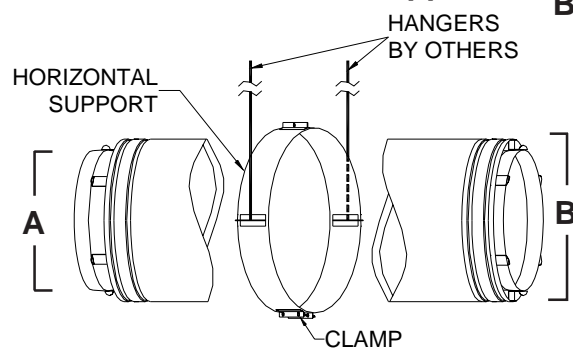
### Horizontal Support for Large Diameter

— Typical for large diameter support. Provides horizontal support for the Saf-T Vent CI Plus system. Diameters 24" thru 32" must have support every 6 feet of horizontal run. The support may be attached from the center of the bracket or from the sides of the support bracket. Support hangers by themselves do not maintain the necessary clearances to combustible materials; be sure to consider clearances when planning the system.

Part Number	DIM - A Inner Vent Diameter	DIM - B Outer Jacket
CCM24HZS	24	26.3
CCM26HZS	26	28.3
CCM28HZS	28	30.3
CCM30HZS	30	32.3
CCM32HZS	32	34.3



### Center Attached Support

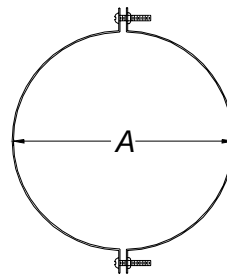


### Side Attached Support

### Support Clamp

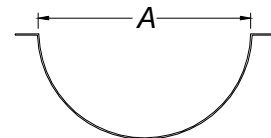
— Typical for smaller diameter support. For use on horizontal systems to provide support at the required 6-foot intervals. Support clamps by themselves do not maintain the necessary clearances to combustible materials; be sure to consider clearances when planning the system. Support clamps are sold in pairs, with two half-shells, and two 1/4-20 nuts and bolts. This part is made from 18-gauge Type 304 stainless steel and should not be installed in the direct path of flue gases. Can also be used as guy support clamps, vertically as well as horizontally.

Part Number	Inner Vent	DIM - A Nominal Diameter
4627SS	6	8
4727SS	5	7
4827SS	6	8
4927SS	7	9
41027SS	8	10
41127SS	9	11
41227SS	10	12
41427SS	12	14
41627SS	14	16
41827SS	16	18
42027SS	18	20
42227SS	20	22
42427SS	22	24



### Support Clamp

Used in pairs to clamp around the vent and suspend from a single rod or cable.



### Support Clamp

Used singularly as a saddle to rest the vent in; suspend from two rods or cables.

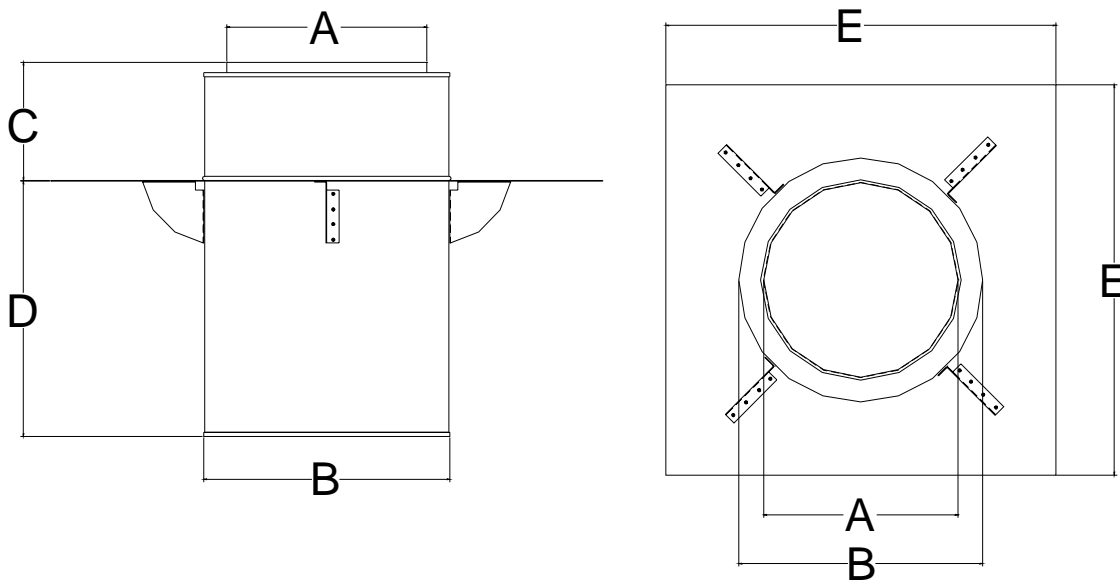
# Saf-T Vent® CI Plus

## DOUBLE WALL AL 29-4C® SPECIAL GAS VENT

### Supports:

**Roof Jack Support System**— For use with vertical terminations. Use to pass through combustible and non-combustible roof structures. The roof jack support system must be installed on a flat roof or a level curb only. Each roof jack support system includes a storm collar that provides support and when sealed, acts as a water barrier. Cannot be used in a chase with a 1" clearance to vent. Refer to Tall Cone Flashing.

Part Number	Inner Vent Diameter	DIM - A ID of Roof Jack	DIM - B OD of Roof Jack	DIM - C Height Above Roof Line	DIM - D Height Below Roof Line	DIM - E Plate Size
CCL04RJ	4	6.5	9.1	7.25	15	24
CCL05RJ	5	7.5	10.1	7.25	15	24
CCL06RJ	6	8.5	11.1	7.25	15	24
CCL07RJ	7	9.5	12.1	7.25	15	24
CCL08RJ	8	10.5	13.1	7.25	15	24
CCL09RJ	9	11.5	14.5	7.25	15	24
CCL10RJ	10	12.5	15.1	7.25	15	24
CCL12RJ	12	14.5	17.1	7.25	15	24
CCL14RJ	14	16.5	19.1	7.25	15	27
CCL16RJ	16	18.5	21.1	7.25	15	30
CCL18RJ	18	20.5	23.1	7.25	15	32
CCL20RJ	20	22.5	25.1	7.25	15	34
CCL22RJ	22	24.5	27.1	7.25	15	36
CCL24RJ	24	26.5	29.1	7.25	15	36
CCL26RJ	26	28.5	31.1	7.25	15	36
CCL28RJ	28	30.5	33.1	7.25	15	40
CCL30RJ	30	32.5	35.1	7.25	15	42
CCL32RJ	32	34.5	37.1	7.25	15	44



**Roof Jack Support System**

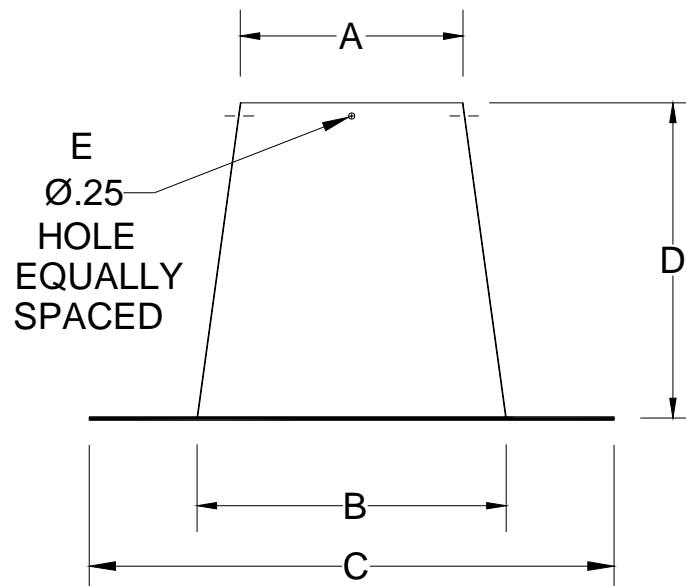
# Saf-T Vent® CI Plus

DOUBLE WALL AL 29-4C® SPECIAL GAS VENT

## Supports:

**Tall Cone Flashing and Support**— Use as a vertical roof penetration/support in conjunction with a combustible chase. Can be used with a roof curb if needed. Can be used on metal roofs with a 2-12 pitch. This part comes with a storm collar and support screws and is of all stainless steel construction. A Vented Termination Collar **must** be used when installed in a combustible chase and must be ordered separately. CAUTION: the support screws can **only** be installed with Saf-T Vent CI Plus venting.

Part Number	Inner Vent Diameter	DIM-A Top of Cone Opening	DIM - B Bottom of Cone Opening	DIM - C Face Plate (Square)	DIM - D Overall Height	DIM-E Quantity of Holes
CCM04TCF	4	6.5	9.75	18	12	4
CCM05TCF	5	7.5	10.75	20	12	4
CCM06TCF	6	8.5	11.75	20	12	4
CCM07TCF	7	9.5	12.75	22	12	4
CCM08TCF	8	10.5	13.75	22	12	4
CCM09TCF	9	11.5	14.75	24	12	4
CCM10TCF	10	12.5	15.75	24	12	4
CCM12TCF	12	14.5	17.75	26	12	4
CCM14TCF	14	16.5	19.75	28	12	6
CCM16TCF	16	18.5	21.75	30	16	6
CCM18TCF	18	20.5	23.75	32	12	6
CCM20TCF	20	22.5	25.75	34	12	6
CCM22TCF	22	24.5	27.75	36	12	6
CCM24TCF	24	26.5	29.75	38	12	8
CCM26TCF	26	28.5	31.75	40	12	8
CCM28TCF	28	30.5	33.75	42	12	8
CCM30TCF	30	32.5	35.75	44	12	8
CCM32TCF	32	34.5	37.75	46	12	8



**Tall Cone Flashing and Support**

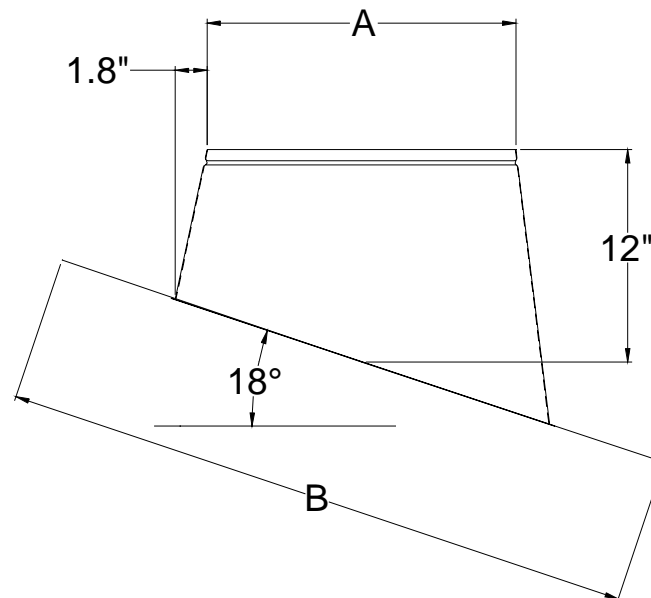
# Saf-T Vent<sup>®</sup> CI Plus

DOUBLE WALL AL 29-4C<sup>®</sup> SPECIAL GAS VENT

## Supports:

**Pitched Tall Cone Flashing** — Use as a vertical roof penetration in conjunction with a combustible chase. Can be used on roofs with a 2/12 - 6/12 pitch. This part comes with a storm collar and is of all stainless steel construction. A Vented Termination Collar **must** be used when installed in a combustible chase and must be ordered separately. Can be used with Saf-T Vent CI vent when clearance to combustibles are maintained.

Part Number	Inner Vent Diameter	DIM-A Top of Cone Opening	DIM - B Face Plate (Square)
CCM04TCFP	4	6.5	24
CCM05TCFP	5	8.5	24
CCM06TCFP	6	9.5	24
CCM07TCFP	7	10.5	26
CCM08TCFP	8	11.5	26
CCM09TCFP	9	12.5	26
CCM10TCFP	10	13.5	28
CCM12TCFP	12	15.5	30
CCM14TCFP	14	17.5	34
CCM16TCFP	16	19.5	34
CCM18TCFP	18	21.5	36
CCM20TCFP	20	23.5	38
CCM22TCFP	22	25.5	40
CCM24TCFP	24 </td <td>27.5</td> <td>42</td>	27.5	42
CCM26TCFP	26	29.5	44
CCM28TCFP	28	31.5	46
CCM30TCFP	30	33.5	48
CCM32TCFP	32	35.5	48



**Pitched Tall Cone Flashing**

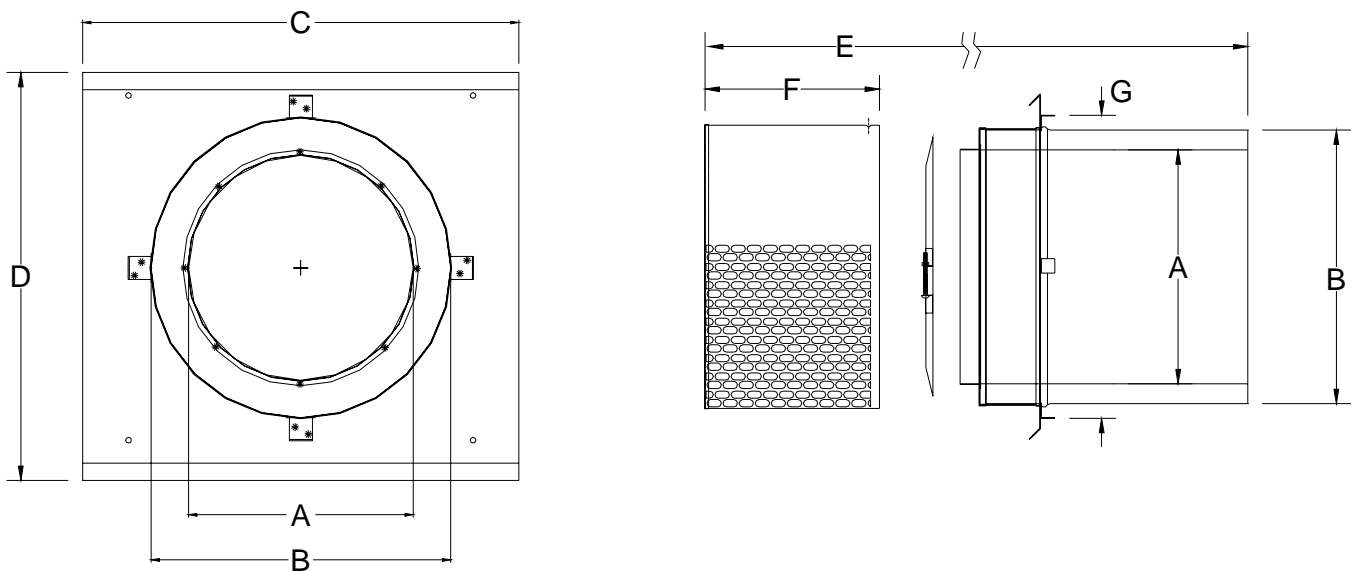
# Saf-T Vent® CI Plus

DOUBLE WALL AL 29-4C® SPECIAL GAS VENT

## Terminations:

**Wall Termination / Penetration** — Use to penetrate any combustible or non-combustible wall. This part is a thimble only and does not include any vent. Order enough vent to pass through the thimble and extend 4-8 inches beyond the building sheathing. Includes an AL 29-4C® screen cover and a vent finish collar to terminate the vent system.

Part Number	Inner Vent Diameter	DIM - A Outer Jacket Diameter	DIM - B Outer Thimble Diameter	DIM - C Face Plate Width	DIM - D Face Plate Height	DIM - E Overall Length	DIM - F Exterior Length	DIM - G Wall Opening
CCE04WP	4	6.3	9	16	15	21.5	6	11
CCE05WP	5	7.3	10	17	16	23.5	8	12
CCE06WP	6	8.3	11	18	17	23.5	8	13
CCE07WP	7	9.3	12	18	17	23.5	12	14
CCE08WP	8	10.3	13	19	18	27.5	12	15
CCE09WP	9	11.3	14	20	19	27.5	12	16
CCE10WP	10	12.3	15	22	21	27.5	12	17
CCE12WP	12	14.3	17	24	23	27.5	12	19
CCE14WP	14	16.3	19	25	24	27.5	12	21
CCE16WP	16	18.3	21	27	26	27.5	12	23
CCE18WP	18	20.3	23	29	28	27.5	12	25
CCE20WP	20	22.3	25	31	30	27.5	12	27
CCE22WP	22	24.3	27	33	32	27.5	12	29
CCE24WP	24	26.3	29	35	34	27.5	12	31
CCE26WP	26	28.3	31	37	36	27.5	12	33
CCE28WP	28	30.3	33	39	38	27.5	12	35
CCE30WP	30	32.3	35	41	40	27.5	12	37
CCE32WP	32	34.3	37	43	42	27.5	12	39



**Wall Termination / Penetration**

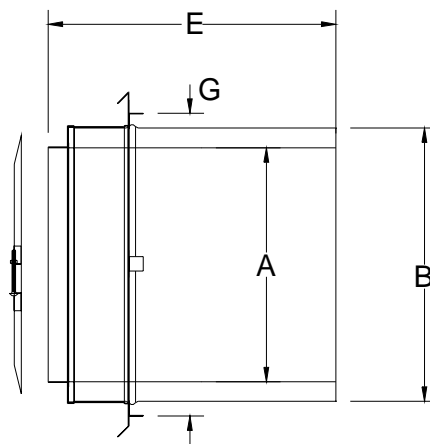
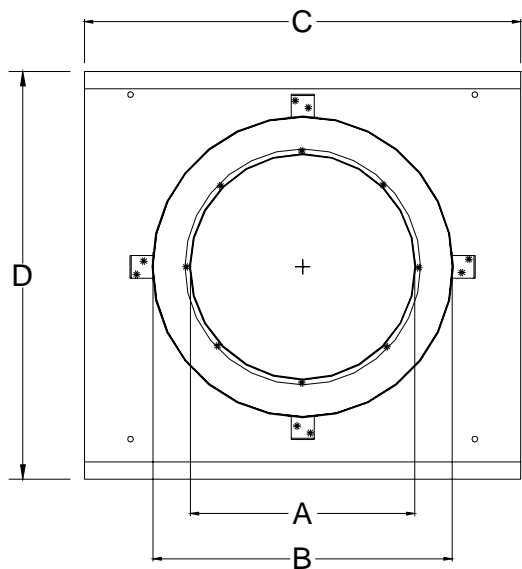
# Saf-T Vent<sup>®</sup> CI Plus

DOUBLE WALL AL 29-4C<sup>®</sup> SPECIAL GAS VENT

## Terminations:

**Wall Penetration** — Use to penetrate any combustible or non-combustible wall. This part is a thimble only and does not include any vent. Order enough vent to pass through the thimble and extend 4-8 inches beyond the building sheathing. Includes a finish collar.

Part Number	Inner Vent Diameter	DIM - A Outer Jacket Diameter	DIM - B Outer Thimble Diameter	DIM - C Face Plate Width	DIM - D Face Plate Height	DIM - E Overall Length	DIM - G Wall Opening
CCL04WPNS	4	6.3	9	16	15	18.5	11
CCL05WPNS	5	7.3	10	17	16	18.5	12
CCL06WPNS	6	8.3	11	18	17	18.5	13
CCL07WPNS	7	9.3	12	18	17	18.5	14
CCL08WPNS	8	10.3	13	19	18	18.5	15
CCL09WPNS	9	11.3	14	20	19	18.5	16
CCL10WPNS	10	12.3	15	22	21	18.5	17
CCL12WPNS	12	14.3	17	24	23	18.5	19
CCL14WPNS	14	16.3	19	25	24	18.5	21
CCL16WPNS	16	18.3	21	27	26	18.5	23
CCL18WPNS	18	20.3	23	29	28	18.5	25
CCL20WPNS	20	22.3	25	31	30	18.5	27
CCL22WPNS	22	24.3	27	33	32	18.5	29
CCL24WPNS	24	26.3	29	35	34	18.5	31
CCL26WPNS	26	28.3	31	37	36	18.5	33
CCL28WPNS	28	30.3	33	39	38	18.5	35
CCL30WPNS	30	32.3	35	41	40	18.5	37
CCL32WPNS	32	34.3	37	43	42	18.5	39



## Wall Penetration

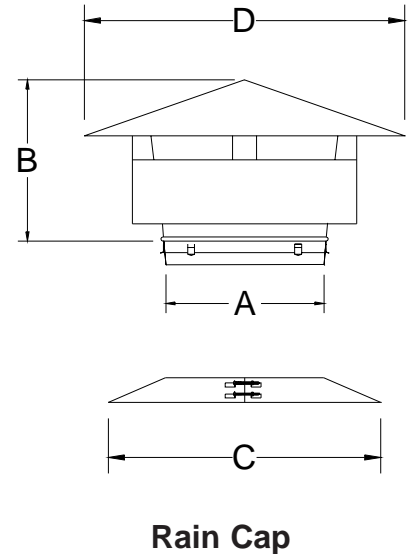
# Saf-T Vent® CI Plus

DOUBLE WALL AL 29-4C® SPECIAL GAS VENT

## Terminations:

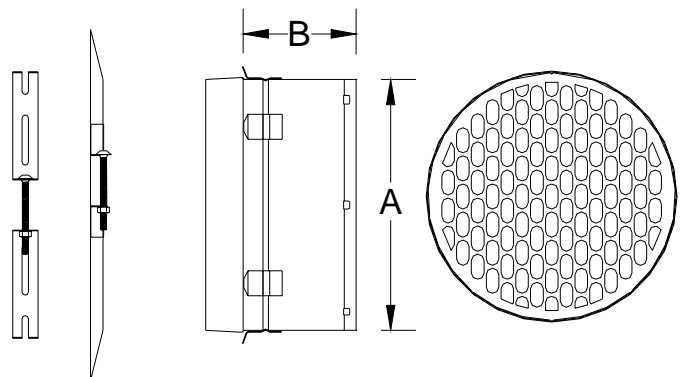
**Rain Cap** — Use as a termination on vertical systems. Category I and II appliances require a raincap or other device to prevent rainwater from entering the vent. Vent systems for positive pressure appliances may omit the raincap if there are other provisions for draining rainwater from the system. The raincap may also be used as a horizontal termination. Each raincap includes a joint locking strap as well as a storm collar. Call Heat-fab to inquire about larger diameters.

Part Number	DIM - A Nominal Vent Pipe Diameter	DIM - B Cap Installed Height	DIM - C Storm Collar OD	DIM - D Cap OD
CCA04RC	4	8.5	12	12
CCA05RC	5	8.5	14	14
CCA06RC	6	8.5	14	14
CCA07RC	7	9.5	18	18
CCA08RC	8	9.5	18	18
CCA09RC	9	9.5	20	20
CCA10RC	10	9.5	20	20
CCA12RC	12	9.5	24	24
CCA14RC	14	11.5	28	28
CCA16RC	16	13.5	32	32
CCA18RC	18	15.5	36	36
CCA20RC	20	17.5	36	36
CCA22RC	22	19.5	44	44
CCA24RC	24	19.5	48	48



**Screened Termination**— Use as a termination on horizontal or vertical systems, as specified or allowed by the appliance manufacturer. The screened termination comes with a joint locking strap and a finish collar. Made of AL29-4C.

Part Number	DIM - A Diameter	DIM - B Installed Length
CCK04TM	4	4.5
CCK05TM	5	4.5
CCK06TM	6	4.5
CCK07TM	7	4.5
CCK08TM	8	4.5
CCK09TM	9	4.5
CCK10TM	10	4.5
CCK12TM	12	4.5
CCK14TM	14	4.5
CCK16TM	16	4.5
CCK18TM	18	4.5
CCK20TM	20	4.5
CCK22TM	22	4.5
CCK24TM	24	4.5
CCK26TM	26	4.5
CCK28TM	28	4.5
CCK30TM	30	4.5
CCK32TM	32	4.5



**Screened Termination**

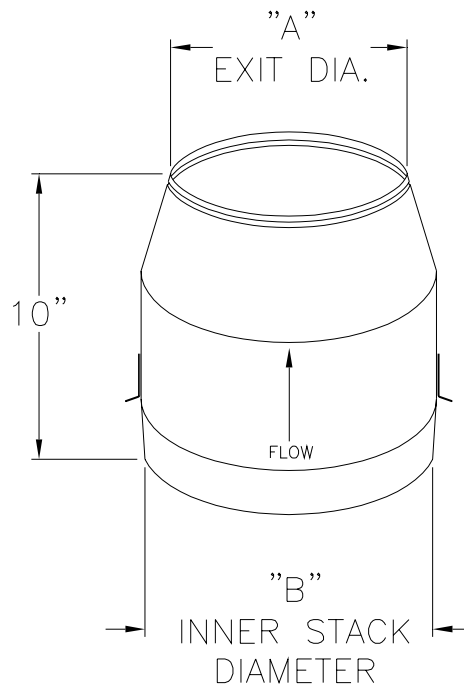
# Saf-T Vent<sup>®</sup> CI Plus

DOUBLE WALL AL 29-4C<sup>®</sup> SPECIAL GAS VENT

## Terminations:

**Exit Cone** — Use as a termination to increase the velocity of the flue gases exiting the stack. The exit cone may also help to reduce ice buildup in cold climates where a rain cap may normally be used. A narrow Finish Collar is included to seal off the 1" air space of the CI Plus vent. The Exit Cone can be attached to EZ Seal vent systems with the addition of an adapter strap, CCA\_\_ADSV

Part Number	DIM - A	DIM-B
CCA06EX04	4	6
CCA07EX05	5	7
CCA08EX06	6	8
CCA09EX07	7	9
CCA10EX08	8	10
CCA126EX10	10	12
CCA14EX12	12	14
CCA16EX14	14	16
CCA18EX16	16	18
CCA20EX18	18	20
CCA22EX20	20	22
CCA24EX22	22	24
CCA26EX24	24	26
CCA28EX26	26	28
CCA30EX28	28	30
CCA32EX30	30	32





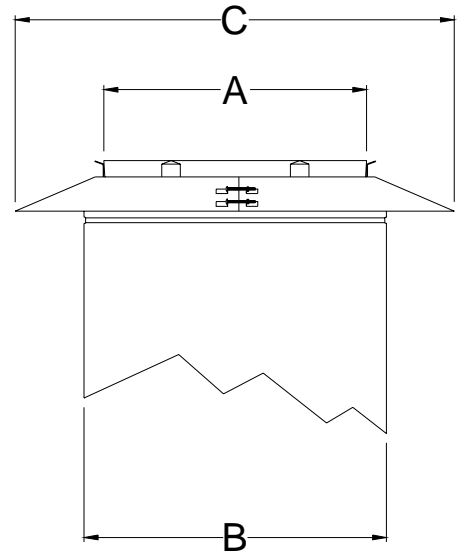
# Saf-T Vent® CI Plus

DOUBLE WALL AL 29-4C® SPECIAL GAS VENT

## Termination Accessories:

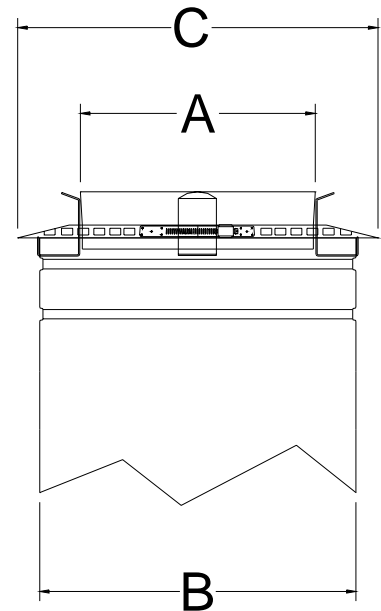
**Finish Collar** — The collar is used to close off air space between inner vent and outer jacket. For use on horizontal or vertical systems.

Part Number	DIM-A Inner Vent Diameter	DIM - B Outer Jacket Diameter	DIM - C Outer Collar Diameter
CCK04FC	4	6.3	7
CCK05FC	5	7.3	8
CCK06FC	6	8.3	9
CCK07FC	7	9.3	10
CCK08FC	8	10.3	11
CCK09FC	9	11.3	12
CCK10FC	10	12.3	13
CCK12FC	12	14.3	15
CCK14FC	14	16.3	17
CCK16FC	16	18.3	19
CCK18FC	18	20.3	21
CCK20FC	20	22.3	23
CCK22FC	22	24.3	25
CCK24FC	24	26.3	27
CCK26FC	26	28.3	29
CCK28FC	28	30.3	31
CCK30FC	30	32.3	33
CCK32FC	32	34.6	35



**Ventilation Collar** — The ventilation collar is installed over the air space between the inner vent and outer jacket and allows any built up heat to escape. The ventilation collar **must** be used on Tall Cone Flashing installations with a combustible chase. For use on horizontal and vertical systems.

Part Number	DIM-A Inner Vent Diameter	DIM - B Outer Jacket Diameter	DIM - C Outer Collar Diameter
CCK04FCV	4	6.3	7
CCK05FCV	5	7.3	8
CCK06FCV	6	8.3	9
CCK07FCV	7	9.3	10
CCK08FCV	8	10.3	11
CCK09FCV	9	11.3	12
CCK10FCV	10	12.3	13
CCK12FCV	12	14.3	15
CCK14FCV	14	16.3	17
CCK16FCV	16	18.3	19
CCK18FCV	18	20.3	21
CCK20FCV	20	22.3	23
CCK22FCV	22	24.3	25
CCK24FCV	24	26.3	27
CCK26FCV	26	28.3	29
CCK28FCV	28	30.3	31
CCK30FCV	30	32.3	33
CCK32FCV	32	34.3	35



# Saf-T Vent<sup>®</sup> CI Plus

DOUBLE WALL AL 29-4C<sup>®</sup> SPECIAL GAS VENT

---

Notes: